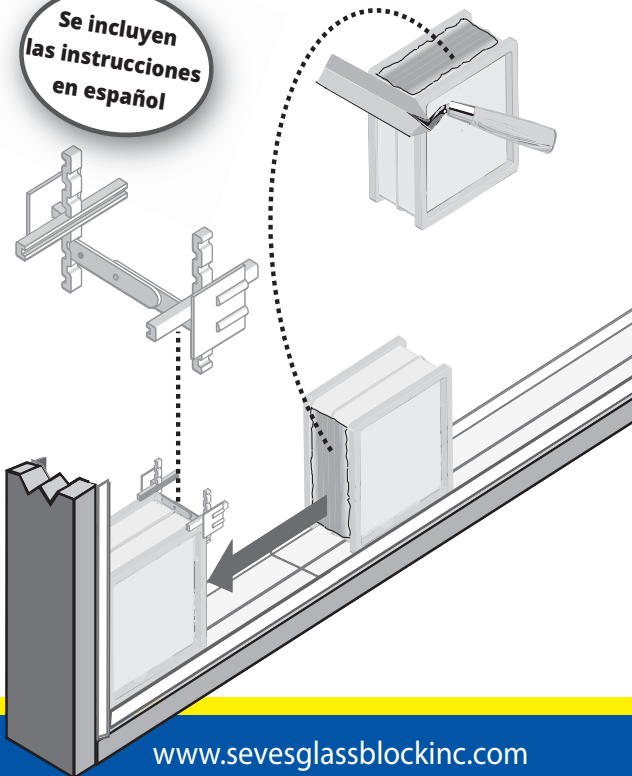


SEVES
GLASS
BLOCK

Assembly Instructions

Mortar Glass Block Installation System

*Se incluyen
las instrucciones
en español*



www.sevesglassblockinc.com

Seves Glass Block

Mortar Glass Block Installation System

Assembly Instructions

Introduction:

The **Mortar I System** utilizes Seves Glass Block perimeter channels on all four sides. You will also use Universal Mortar Spacers and glass block mortar to produce clean, consistent 1/4" joints and a traditional grid look.

The **Mortar II System** does not use the Seves Glass Block perimeter channels but instead utilizes expansion strips, panel reinforcing and panel anchors. You will also use Universal Mortar Spacers and glass block mortar to produce clean, consistent 1/4" joints and a traditional grid look.

Here is additional information about each method.

Mortar I: (page 3)

- This method is designed for use with Seves Glass Block 4" Premiere®, 3" Thinline™, Basic, Design and MyMINI™ series Glass Block.
- The installation recommendations are for small residential panels of 25 sq. ft. or less.
- Not for use in constructing curved glass block walls.
- Interior and exterior panels must be framed on all four sides.

***Note:** This method is not to be used in constructing curved glass block applications. All glass block panels are non-load bearing, so adequate provisions must be made for support of construction around the panel.*

Mortar II: (page 14)

- This method is designed for use with Seves Glass Block 4" Premiere, 3" Thinline™, Basic, Design and MyMINI™ series Glass Block.
- The installation recommendations may be used for interior or exterior residential panels larger than 25 sq. ft.
- This method may be used to install projects framed on two, three, or four sides.
- 4-in Series - Panel size limitations - Interior (250 sq. ft. max) and Exterior (144 sq. ft. max.).
- 3-in Series - Panel size limitations - Interior (150 sq. ft. max.) and Exterior (85 sq. ft. max.).

Note: All glass block panels are non-load bearing, so adequate provisions must be made for support of construction around the panel.

The joints of the Mortar I and Mortar II Systems utilize a traditional installation method using a mortar finish for the classic “grid” look. Glass block sealant should be used to seal the perimeter on both sides of the panel.

Before you begin installing your glass blocks, decide which installation method is right for your project.

The materials required for Mortar System glass block installation are:

1. Seves Glass Block 3-in or 4-in Series Glass Block
2. Universal Mortar Spacers
3. Perimeter Channels - 4-in (4") or 3-in (3")
(*Mortar I System*)
4. Expansion Strips
5. #6 x 1" zinc-plated flat head screws (approx. three per lineal foot of perimeter channel)
(*Mortar I System*)
6. Panel reinforcing (*Mortar II System*)
7. Panel anchors (*Mortar II System*)
8. #12 x 1" zinc-plated pan head screws
(*Mortar II System*)
9. Glass Block white premixed mortar
10. Glass Block Sealant
11. White touch up paint (*Mortar I System*)
12. Latex paint, Weldbond® adhesive, or asphalt emulsion depending upon application.
(*Mortar II System*)

Mortar I System

The tools required for the Mortar I glass block installation system are a margin trowel, mortar pan, polyfoam brush, sponge, tin snips, screwdriver or power drill, fine tooth saw or miter saw, caulking gun, utility knife, metal file, tape measure, 3/8" to 1/2" striking tool and 2' level.

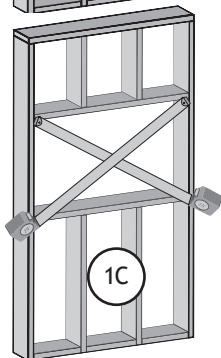
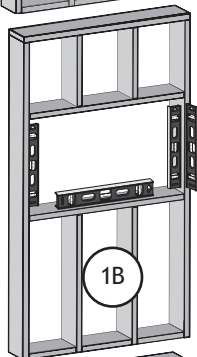
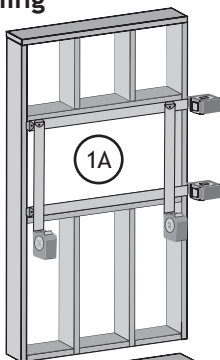
1. Prepare The Rough Opening

- A. Make sure the opening is the correct size. To determine the correct size of the rough opening, add 1/4" to the sum of the nominal block sizes for both the height and width.

Example: Panel (using 8" x 8" block) is four block wide ($8 \times 4 + 1/4" = 32-1/4"$) and five block high ($8 \times 5 + 1/4" = 40-1/4"$). Rough opening needs to be 32-1/4" wide and 40-1/4" high.

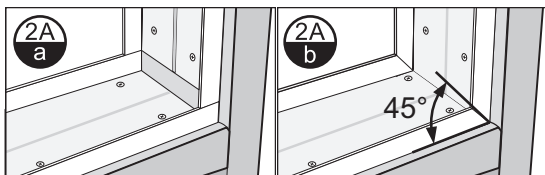
- B. Use a level to make sure the opening is level and plumb.
- C. Measure the opening diagonally from corner to corner in both directions, and compare the dimensions to check for squareness. These dimensions should be equal to within 1/8".

Note: If there are any problems with the opening, make adjustments before proceeding.



2. Install Perimeter Channel

- A. Cut the channel to fit the perimeter of the opening. The channel ends may be cut straight or mitered.
- If cutting the ends straight:
 - Cut the top and bottom channels to the width of the opening.
 - Cut the side channels to the height of the opening minus 1-1/2" so they will fit between the top and bottom channels.

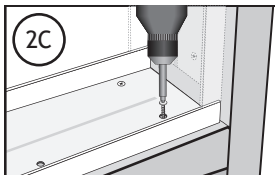


- If mitering the ends, make all cuts at a 45° angle.
- B. Cut the top channel in half lengthwise with a utility knife. Score the center groove with the knife and break the channel in half. Apply glass block sealant to back of channel before installing.

Note: Cutting the top channel in half will allow the top row of blocks to be installed.

- C. Install the bottom channel:
- The channel may be installed in the center of the opening, or flush with the interior or exterior side of the opening.
 - Attach the channel to the opening by inserting #6 x 1" flat head galvanized screws or equivalent through the predrilled holes in the channel. Insert two screws in each end of the channel.

Note: If the predrilled holes at the ends were trimmed off when cutting the channel to length, drill new ones at the ends of the cut piece.

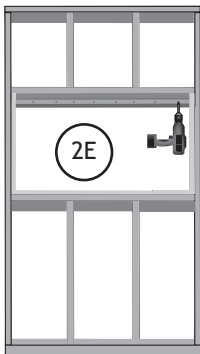


- D. Install the side channels in the same manner making sure they are plumb before attaching with screws.

Note: You may want to slide a glass block into the bottom channel at both corners to make sure the side channels are aligned with the bottom channel.

- E. Install the half top channel:

- Place the half channel in the top of the opening making sure it is aligned with the side channels.
- Attach the channel to the opening by inserting #6 x 1" flat head galvanized screws through the predrilled holes in the channel. Insert a screw at each end of the channel.
- On exterior windows, the screwed in half channel should always be the exterior side.

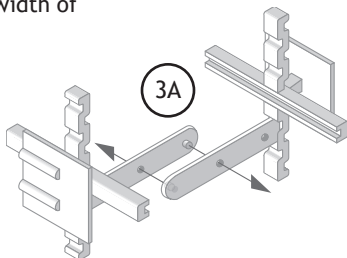


Note: If the predrilled hole at the end was trimmed off when cutting the channel to length, drill a new one at the end of the cut piece.

- F. Paint all of the screw heads white to reduce their visibility.

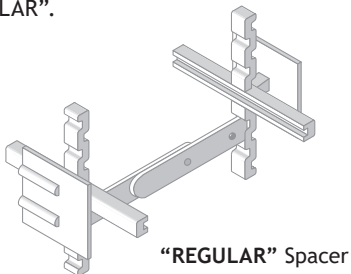
3. Preparation of Universal Mortar Spacers

- A. Assemble the spacers for the series of block you are installing. The spacers come in two halves, snap the spacers together to fit the width of the block.

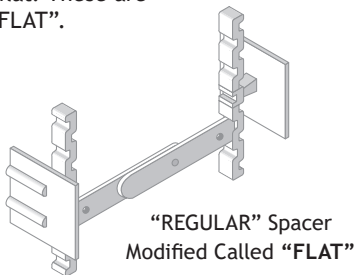


B. Modify the spacers using tin snips based on their location:

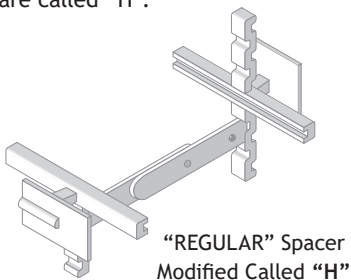
- Where four block come together, spacers are used as assembled. These are called “REGULAR”.



- Where block meet the side perimeter channel, clip off both sets of smooth legs. Twist-off tabs remain in place. File off any burrs so the spacer will lay flat. These are called “FLAT”.



- For the top row of block, clip off one upper toothed leg and cut the twist off tab in half. These are called “H”.



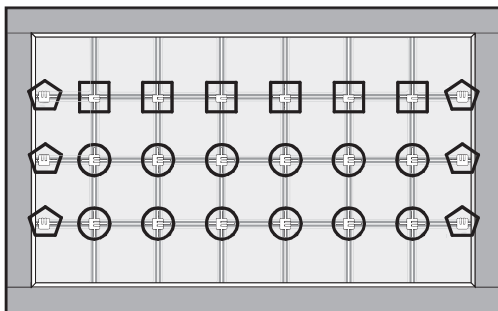
Note: It is important to file off any burrs.

This is a reference guide for where “REGULAR” and modified spacers are used.

○ = “REGULAR” Spacer

◡ = “FLAT” Spacer

□ = “H” Spacer



4. Mortar Preparation

The following gives an idea of the number of blocks that can be installed per 50 pound bag of mortar.

White Premixed Glass Block Mortar					
Number of blocks per 50 lb. bag of mortar					
Block Sizes (Nominal)	4" x 8"	6" x 6"	6" x 8"	8" x 8"	12" x 12"
No. of 4-in Series (4"thick)	34	34	30	26	18
No. of 3-in Series (3"thick)	42	42	36	32	N/A

Based on 1/4" mortar joints

- A. Mix mortar according to the instructions on the premix mortar bag. When mixed to the proper consistency, mortar should stick to the edge of the glass block when turned on edge. Be sure to read and understand all precautions outlined by the mortar manufacturer. Freshly mixed mortar may cause skin irritation.

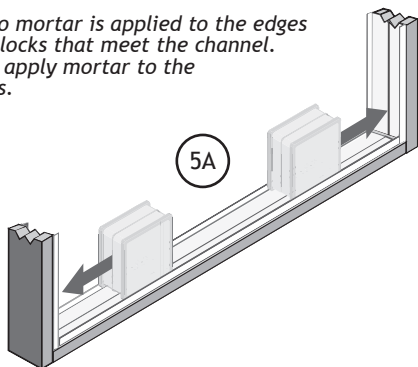
Note: Slowly add water to mortar mix. DO NOT mix more mortar than you can install in one hour.

Note: Avoid direct contact when possible and wash exposed skin areas promptly with water. If any gets into eyes, rinse immediately with water and seek prompt medical attention.

5. Install The First Row

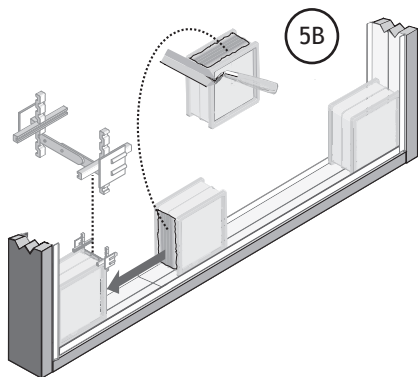
- A. Place two glass blocks in the sill channel, sliding one block into the right jamb and one block into the left jamb. Make sure the blocks are seated in the channels.

Note: No mortar is applied to the edges of the blocks that meet the channel. **DO NOT** apply mortar to the channels.

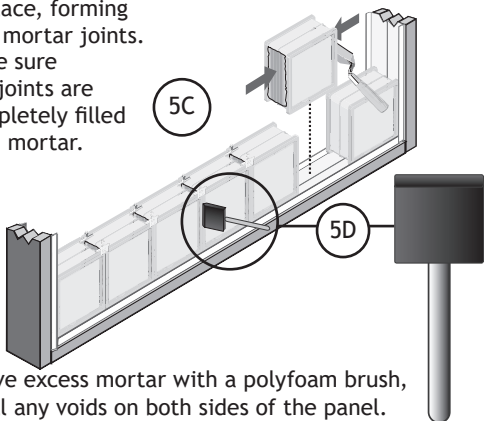


- B. Install the next block:

- Apply 3/8" to 1/2" of mortar to the edge of the next block.
- Place the block in the channel with the mortar facing a previously installed block.
- As you install the block, insert a "REGULAR" spacer with the cross arm down where the two blocks meet.
- Push the block firmly in place, forming a 1/4" mortar joint. Make sure the joint is completely filled with mortar.



- C. Install the remaining blocks in the first row in the same manner.
- Apply 3/8" to 1/2" of mortar to both edges of the last block installed in the row.
 - Be sure to insert "REGULAR" spacers with the cross arm down, where two blocks meet.
 - Push the blocks firmly in place, forming 1/4" mortar joints. Make sure the joints are completely filled with mortar.



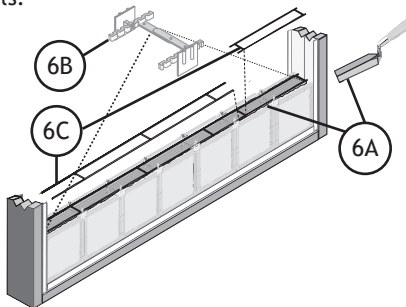
- D. Remove excess mortar with a polyfoam brush, and fill any voids on both sides of the panel.

6. Install The Remaining Rows

- A. Apply a 3/8" to 1/2" mortar bed on top of the first row.

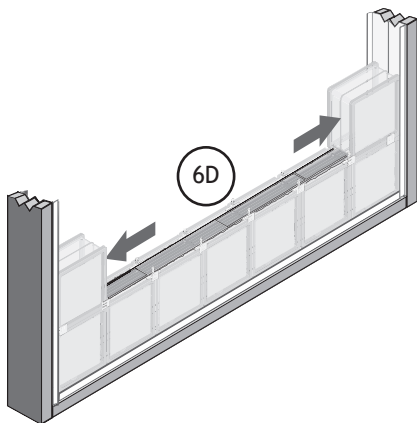
Note: Be careful to keep the smooth legs of the spacers free of mortar to ensure that the next row of block will sit flat on the spacers.

- B. Place a "FLAT" spacer on top of the first and last block of the previous row where they meet the side channels.



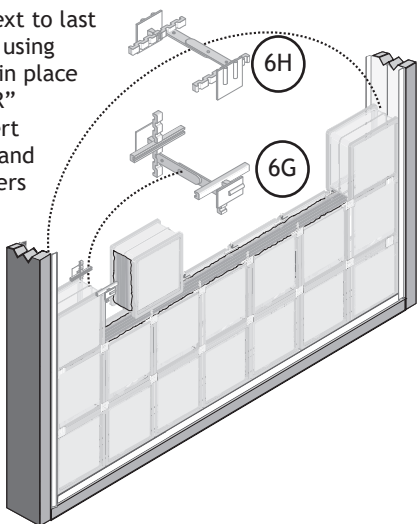
- C. Install Seves Stainless Steel Wire Reinforcing taking care **Not** to overlap any previously installed components.

Note: Wire reinforcing is always installed at top of first course, at top of the next to last course and 16" on center in between.



- D. Set the first block and last block of the next row into the side channels on top of the “FLAT” spacers.
- E. Install the remaining blocks in the row in the same manner as the first row.
- Apply 3/8" to 1/2" of mortar to the edge of each block that meets a previous block. Apply mortar to both edges of the last block installed in the row.
 - Be sure to insert “REGULAR” spacers with the cross arm down, where two blocks meet.
 - Push the blocks firmly in place, forming 1/4" mortar joints. Make sure the joints are completely filled with mortar.
 - Remove excess mortar with a polyfoam brush, and fill any voids on both sides of the panel.
 - Check periodically to ensure that the blocks are straight, level and plumb. Adjust as needed.
- F. Repeat Steps 6A - 6E to install each row of block, except for the next to last row.

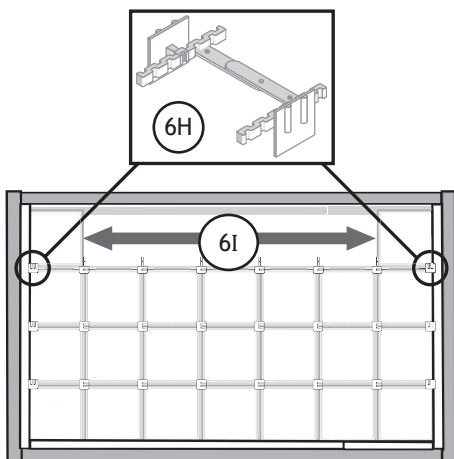
- G. Install the next to last row of block using “H” spacers in place of “REGULAR” spacers. Insert “H” spacers and “FLAT” spacers as shown.



- H. Lay a bed of mortar on top of the next to last row, installing wire reinforcing and “FLAT” spacers at each corner.

Note: For ease of block placement, you may want to snap off the tab of the “FLAT” spacer before placing both corner blocks.

- I. Install the last row of block starting with a block in each top corner, then work toward the middle. Be sure to apply mortar to both sides of the last block.



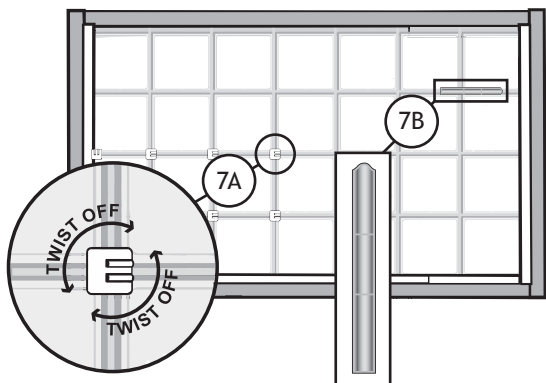
- J. Press any mortar that has been forced out back into the joints using a polyfoam brush.
- K. Remove all mortar from the glass block faces.

7. Finishing

Note: Allow the mortar to set up for about one hour before proceeding.

Note: To prevent scratching of the glass DO NOT use abrasive materials for this cleanup.

- A. Twist off the spacer tabs on both sides of the panel.
- B. With moderate pressure, run the striking tool over all the joints. It is best to strike all the horizontal joints first, then the vertical joints so the pattern is uniform. Fill any voids with mortar.

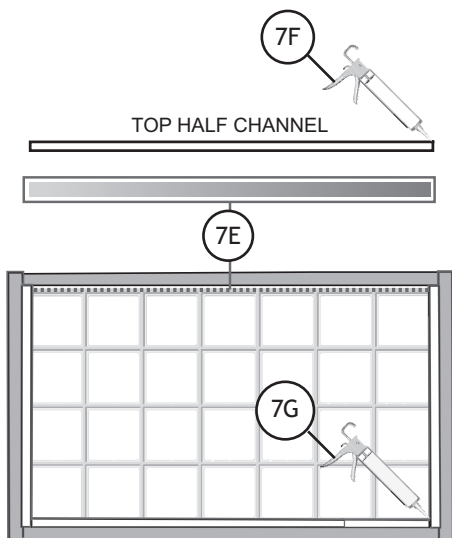


Note: Striking removes excess mortar and compacts the joint to create a smooth, concave, moisture-proof seal.

- C. Use a damp sponge to remove the excess mortar from the block face, rinsing the sponge frequently. Do not be concerned about the dry film that remains on the blocks, it will be cleaned off later.

Note: Allow the mortar to dry for about two to three hours before proceeding.

- D. Use a soft, dry cloth to remove the excess film. A common household plastic scouring pad can also be used.
- E. Cut the expansion strip to a 1-1/2" width and insert it between the top of the blocks and the frame.



- F. Apply sealant to the back of the half-section of channel and install it between the expansion strip and frame.
- G. Apply glass block sealant around the perimeter to seal the glass block and channel. Also seal the top channel to the frame at the head.

Note: For exterior panels or wet areas, also seal where the channels meet the framing.

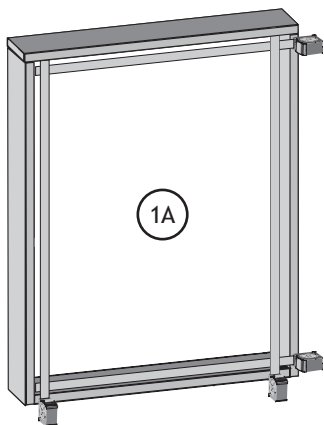
Mortar II System

The tools required for the Mortar II glass block installation system are a margin trowel, mortar pan, 2 polyfoam brushes, sponge, tin snips, screwdriver or power drill, caulking gun, utility knife, metal file, tape measure, 3/8" to 1/2" striking tool, 2' level and rubber mallet.

1. Prepare The Rough Opening

Note: For those glass block applications that begin at floor level, we recommend that you make a curb base as wide as the glass block being used. This will help protect the bottom row of glass block from damage (vacuum cleaners, mops, etc.)

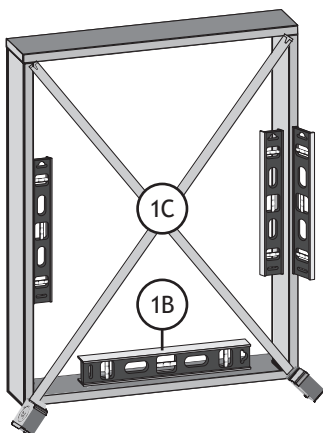
- A. Make sure the opening is the correct size. To determine the correct size of the rough opening, add 1/2" to the sum of the nominal block sizes for both the height and width.



Example: Panel (using 8" x 8" block) is fourteen block wide ($8 \times 14 + 1/2" = 112-1/2"$) and ten block high ($8 \times 10 + 1/2" = 80-1/2"$). Rough opening needs to be 112-1/2" wide and 80-1/2" high.

B. Use a level to make sure the opening is level and plumb.

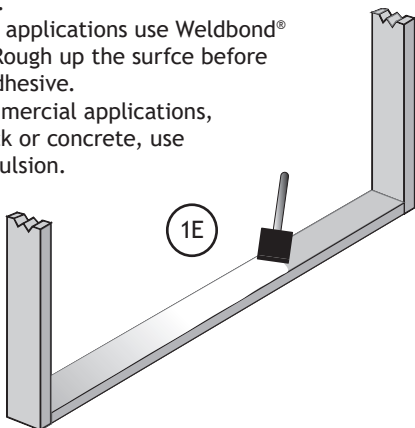
C. Measure the opening diagonally from corner to corner in both directions, and compare the dimensions to check for squareness. These dimensions should be equal within 1/8".



D. If there are any problems with the opening, make adjustments before proceeding.

E. Use a polyfoam brush to treat the sill with latex paint, Weldbond® adhesive or asphalt emulsion as specified below.

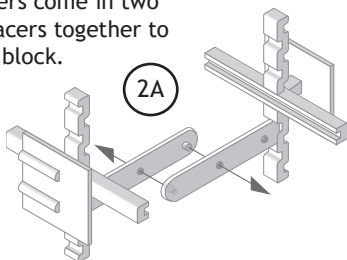
- For wood interior, non-shower applications use latex paint.
- For shower applications use Weldbond® adhesive. Rough up the surface before applying adhesive.
- For all commercial applications, metal, brick or concrete, use asphalt emulsion.



If using Weldbond®, apply mortar to the surface before it cures. Otherwise, let the treated area set up and cure before installing the first row of block.

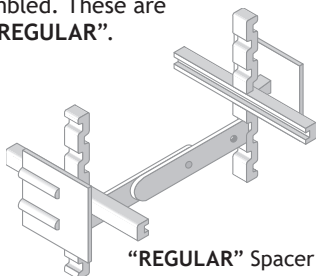
2. Preparation of Universal Mortar Spacers, Panel Anchors, and Expansion Strips

- A. Assemble the spacers for the series of block you are installing. The spacers come in two halves, snap the spacers together to fit the width of the block.

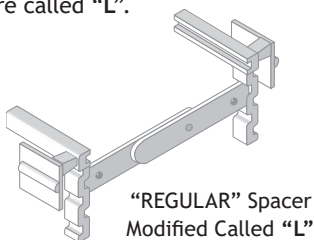


- B. Modify the spacers using tin snips based on their location:

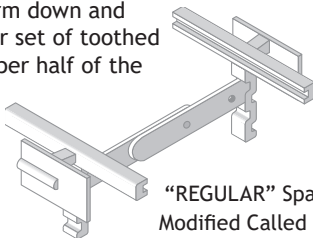
- Where four blocks come together spacers are used as assembled. These are called **“REGULAR”**.



- For the two bottom corners of the panel, orient the spacer with the cross arm down and clip off the upper toothed legs. Clip off the upper half of the twist-off tabs. Cut off the left or right side of the remaining twist-off tab and the smooth legs on the same side. Only two of these spacers are required. Clip off the right set of smooth legs of one spacer, the left set of the other spacer. These are called **“L”**.



- Where glass block meet the jambs and curb, (except for the four corners) orient the spacer with the cross arm down and clip off the upper set of toothed legs, and the upper half of the twist-off tab. These are called “T”.



“REGULAR” Spacer
Modified Called “T”

Note: Prepare a supply of “T” spacers before you start, so that your panel construction can continue without interruption.

Note: It is important to file off any burrs.

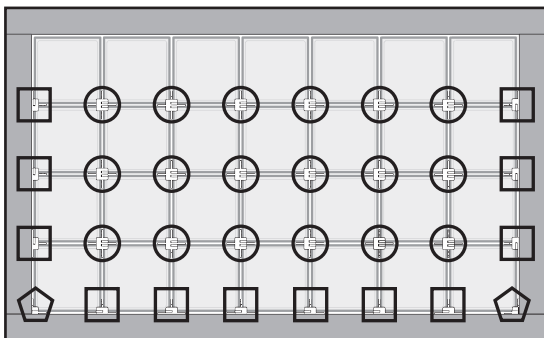
- C. Dry construct your panel (without mortar) to ensure that your block fits the opening and you have an adequate supply of prepared spacers.

This is a reference guide for where “REGULAR” and modified spacers are used.

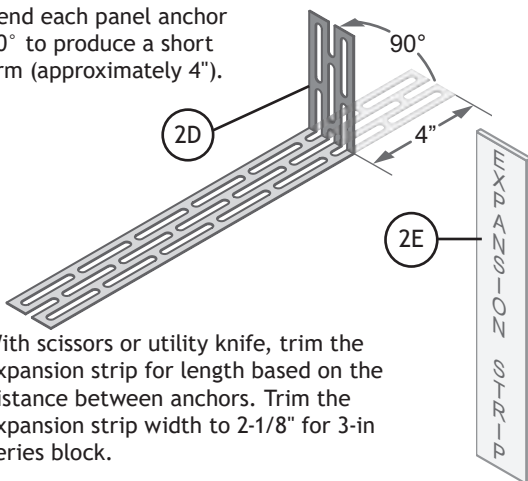
○ = “REGULAR” Spacer

◡ = “L” Spacer

□ = “T” Spacer



- D. Bend each panel anchor 90° to produce a short arm (approximately 4").



- E. With scissors or utility knife, trim the expansion strip for length based on the distance between anchors. Trim the expansion strip width to 2-1/8" for 3-in Series block.

3. Mortar Preparation

This chart will give you an idea of the number of blocks that can be installed per 50 pound bag of mortar.

White Premixed Glass Block Mortar					
Number of blocks per 50 lb. bag of mortar					
Block Sizes (Nominal)	4" x 8"	6" x 6"	6" x 8"	8" x 8"	12" x 12"
No. of 4-in Series (4" thick)	34	34	30	26	18
No. of 3-in Series (3" thick)	42	42	36	32	N/A

Based on 1/4" mortar joints

- A. Mix mortar according to the instructions on the premix mortar bag. When mixed to the proper consistency, mortar should stick to the edge of the glass block when turned on edge. Be sure to read and understand all precautions outlined by the mortar manufacturer. Freshly mixed mortar may cause skin irritation.

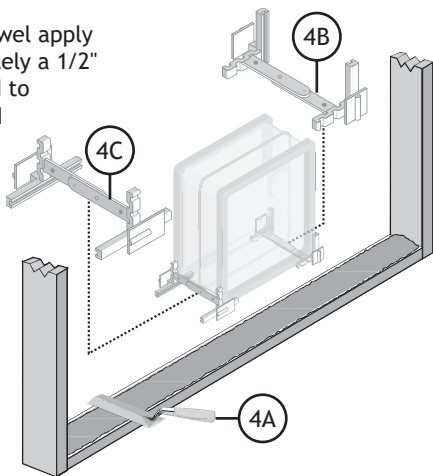
Note: Slowly add water to mortar mix. DO NOT mix more mortar than you can install in one hour.

Note: Avoid direct contact when possible and wash exposed skin areas promptly with water. If any gets into eyes, rinse immediately with water and seek prompt medical attention.

4. Install The First Row

Note: If your project is framed on 3 or 4 sides, complete Steps A thru K. If your project is framed on 2 sides, skip to Step L.

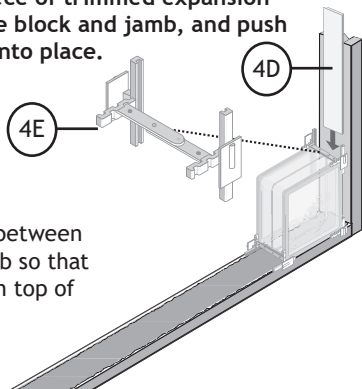
- A. Using a trowel apply approximately a 1/2" mortar bed to the treated curb or floor.



- B. Without applying any mortar to the first block, place an "L" spacer at the lower outside corner of the block so that the spacer cross arm will be at the bottom, between the glass block and the curb.

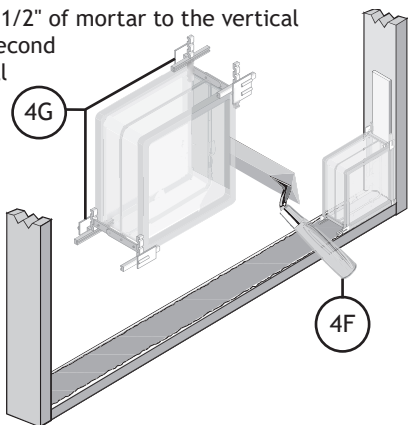
- C. Place a "T" spacer at the other lower corner of the block with the spacer cross arm up.

- D. Slip a 16" long piece of trimmed expansion strip between the block and jamb, and push the block firmly into place.

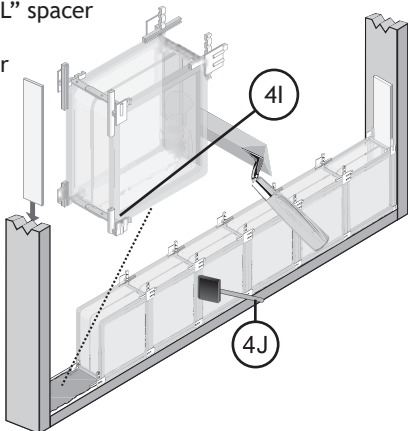


- E. Slip a "T" spacer between the block and jamb so that the cross arm is on top of the block.

- F. Apply 3/8" to 1/2" of mortar to the vertical edge of the second block that will contact the preceding block.



- G. Place the second block using a "T" spacer on the bottom and "REGULAR" spacer at the top with the spacer cross arm between the two blocks. Push the two blocks together.
- H. Follow this procedure for all remaining block in the first row except for the last block.
- I. Install the last block similar to the first block, inserting an "L" spacer at the lower outside corner so that the cross arm is at the bottom, between the block and the curb.



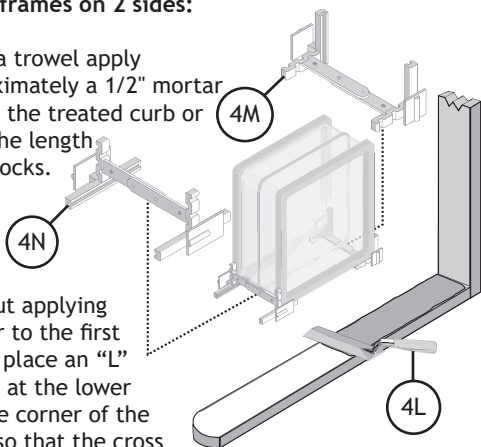
- J. Check periodically to ensure that the glass blocks are straight, level and plumb.

Note: If you find a problem, adjust the block into place with a rubber mallet before proceeding.

- K. Using a polyfoam brush, remove excess mortar and fill any voids on both sides of your panel.

Projects frames on 2 sides:

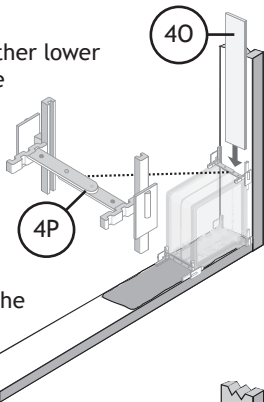
- L. Using a trowel apply approximately a 1/2" mortar bed to the treated curb or floor the length of 2 blocks.



- M. Without applying mortar to the first block, place an "L" spacer at the lower outside corner of the block so that the cross arm is at the bottom, between the glass block and curb.

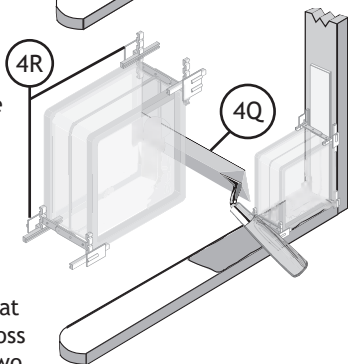
- N. Place a "T" spacer at the other lower corner of the block with the cross arm up.

- O. Slip a 16" long piece of trimmed expansion strip between the block and jamb, and push the block firmly into place.



- P. Slip a "T" spacer between the block and jamb so that the cross arm is on top of the block.

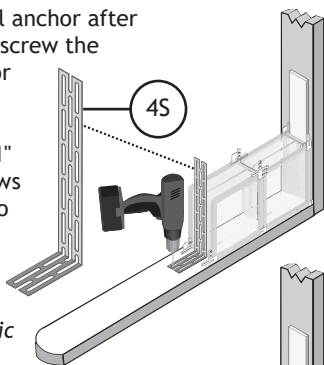
- Q. Apply 3/8" to 1/2" of mortar to the vertical edge of the second block that will contact the preceding block.



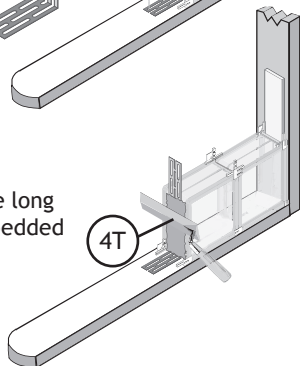
- R. Place the block using a "T" spacer on the bottom and "REGULAR" spacer at the top with the cross arm between the two blocks. Push the blocks together.

- S. Install a vertical panel anchor after the second block and screw the short leg of the anchor to the curb. All panel anchors should be attached using #12 x 1" zinc-plated head screws or equivalent. Use two screws per anchor.

Note: *If attaching the panel anchors to tile or masonry, plastic screw anchors should be used.*



- T. Apply mortar so that the long leg of the anchor is embedded in the vertical joint.

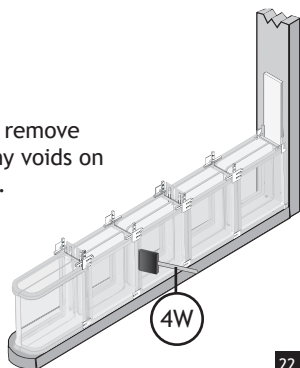


- U. Follow this procedure for the rest of the blocks in the first row, installing a panel anchor after every 2 blocks.

- V. Check periodically to ensure that the glass blocks are straight, level and plumb.

Note: *If you find a problem, adjust the block into place with a rubber mallet before proceeding.*

- W. Using a polyfoam brush, remove excess mortar and fill any voids on both sides of your panel.



5. Installing The Remaining Rows

- A. Apply a 3/8" to 1/2" mortar bed on top of the first row.

Note: Be careful to keep the smooth legs of the spacers free of mortar to ensure that the next row of block will sit flat on the spacers.

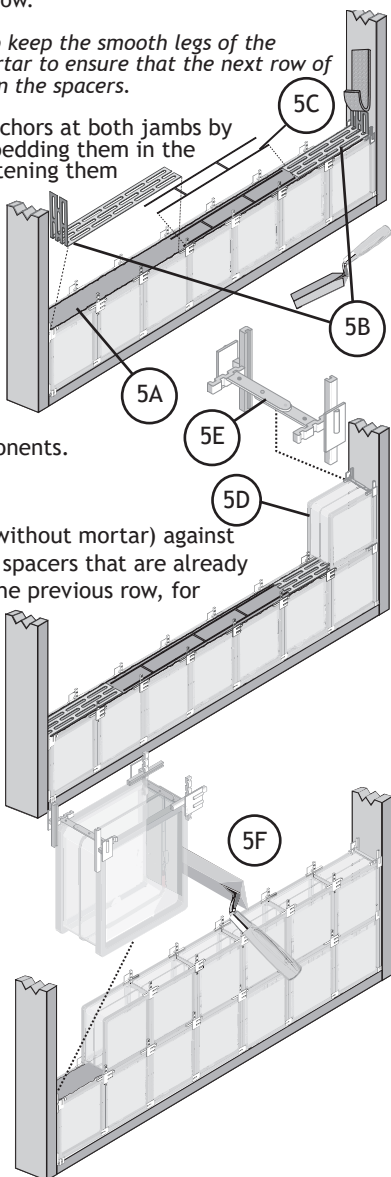
- B. Install panel anchors at both jambs by completely embedding them in the mortar and fastening them to the jamb.

- C. Install Seves Stainless Steel Wire Reinforcing taking care **Not** to overlap any previously installed components.

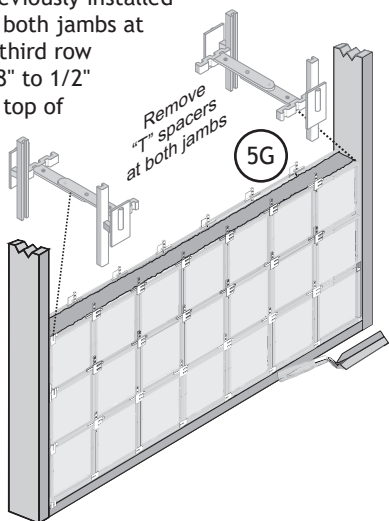
- D. Place a block (without mortar) against the jamb using spacers that are already in place from the previous row, for alignment.

- E. Place a "T" spacer at the upper corner of this block against the jamb.

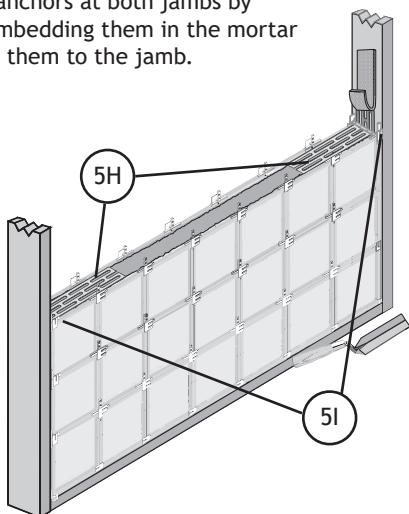
- F. Continue with each block as you did with the first row.



- G. Remove the previously installed “T” spacers at both jambs at the top of the third row and apply a 3/8" to 1/2" mortar bed on top of this row.



- H. Install panel anchors at both jambs by completely embedding them in the mortar and fastening them to the jamb.

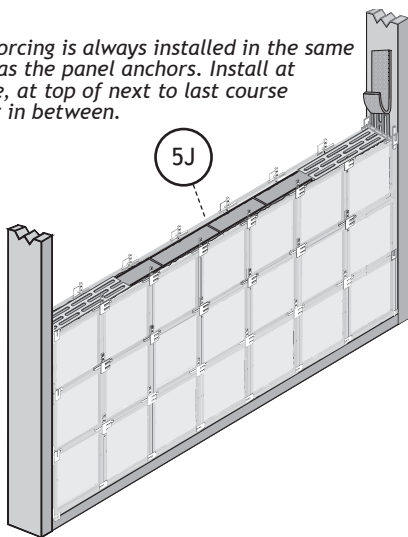


- I. Reinsert the “T” spacers you previously removed.

Note: Additional mortar may need to be applied to cover the anchor.

- J. Lightly press panel reinforcing into the mortar bed along the entire length of the panel so that it is completely embedded in the mortar. Take care not to overlap previously installed components

Note: Panel reinforcing is always installed in the same horizontal joints as the panel anchors. Install at top of first course, at top of next to last course and 16" on center in between.



Note: If using 12" x 12" nominal size glass block, panel anchors and panel reinforcing should be installed on top of every row, except the top row.

- K. Proceed with the remaining rows as previously described.

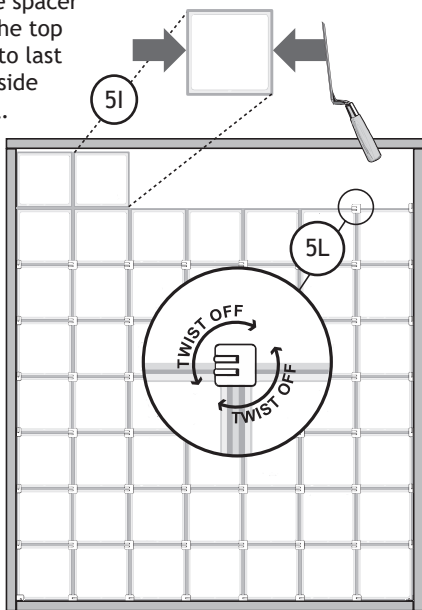
Reminder:

- Install expansion strips along the jambs as you continue.
- Check periodically to ensure that your panel remains level and plumb.
- Use a polyfoam brush to press squeezed out mortar back into the joints.

Note: If your project is not framed at the top, install finishing units in the top row, then skip to the Finishing instructions. If your project is framed at the top, continue with Step L.

Note: Installing the last row will be different than the previous rows in that you will be installing vertical panel anchors.

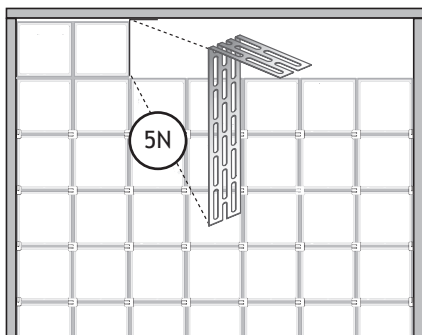
- L. Twist off the spacer tabs along the top of the next to last row on one side of the panel.



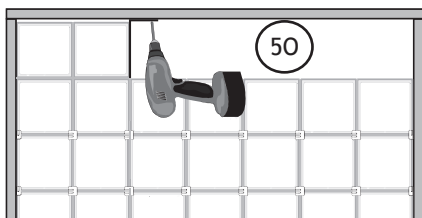
- M. Install two blocks, buttering both vertical sides of the second block before installing.

Note: Spacers are not required at the top of the panel.

- N. Install the vertical panel anchor with the long leg facing down. Completely embed the long leg of the anchor into the vertical mortar joint.



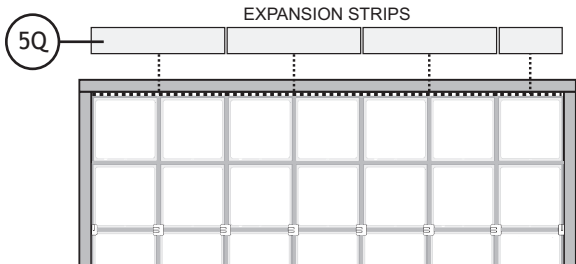
- O. Screw the short leg of the anchor to the top of the opening.



- P. Continue this two block procedure across the final row. After installing the final block, be sure to press back into the joints any mortar that has been forced out.

- Q. Install the expansion strip across the head.

Note: Because the top course meets the expansion strip at the head, no mortar is placed at the top edge of these blocks.

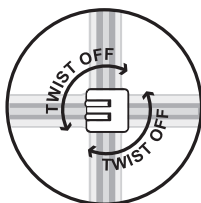


6. Finishing

Note: Allow the mortar to set up for about one hour before proceeding.

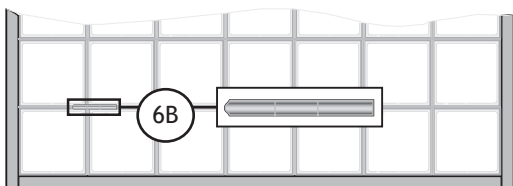
Note: To prevent scratching of the glass DO NOT use abrasive materials for this cleanup.

- A. Twist off the spacer tabs on both sides of the panel.
B. With moderate pressure, run the striking tool over all the joints. It is best to strike all the horizontal joints first, then the vertical joints so that the pattern is uniform. Fill any voids with mortar.



Note: Striking removes excess mortar and compacts it to create a smooth, concave, moisture-proof seal.

- C. After striking, use a damp sponge to remove the excess mortar from the block face, rinsing the sponge frequently. Do not be concerned about the dry film that remains on the blocks, it will be cleaned off later.

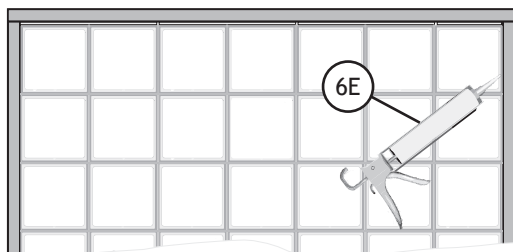


Note: Allow the mortar to dry for about two to three hours before proceeding.

- D. Use a soft, dry cloth to remove the excess film. A common household plastic scouring pad can also be used.
- E. On both sides of the panel, apply sealant to the joints at the head (top) and jambs (sides).

Note: Where curb was used, you'll want to cover it with trim molding. You may also use moldings at the jambs and head.

- F. If your glass block panel will function as a shower wall, after about a week, coat the mortar joints on both sides of the panel with tile grout sealer for mold and mildew protection. Repeat this every two to three years.



Maintenance

An important part of the functional beauty of Seves Glass Block products is that they are virtually maintenance free! There's nothing to rot, rust, peel or paint. All that is needed is an occasional wiping with a damp, soft cloth on interior panels or a hosing on exterior panels, With minimal attention, your Seves Glass Block will remain sparkling and beautiful for years!

If you need assistance

We hope these instructions are clear and answer your questions about the installation of Seves Glass Block. For additional information on Seves Glass Block visit our website at sevesglassblockinc.com.

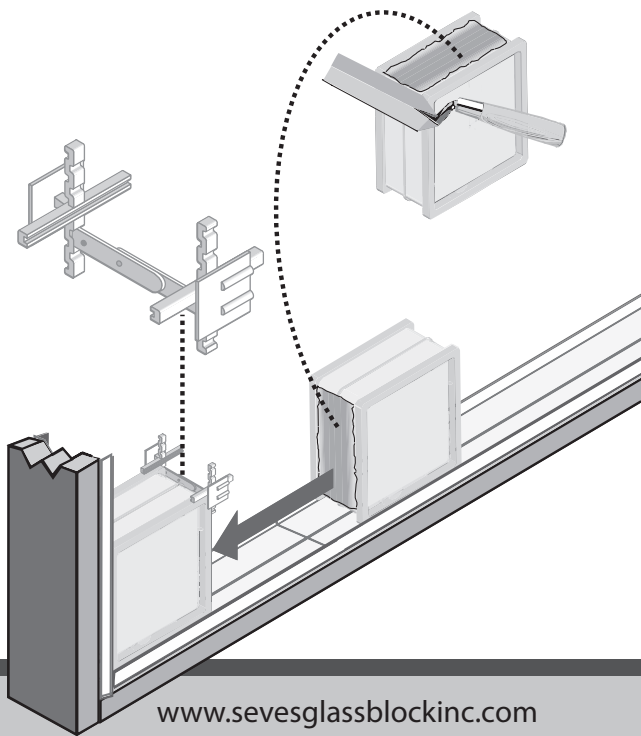
The information contained herein is accurate and reliable to the best of our knowledge. But, because Seves Glass Block has no control over installation, workmanship, accessory materials, or conditions of application NO REPRESENTATION OR WARRANTY, EXPRESSED OR IMPLIED, EITHER AS TO MERCHANTABILITY OR FITNESS FOR A PARTICULAR PURPOSE, IS MADE as to the performance or results of an installation containing the products which extends beyond the description on the face hereof and ANY AND ALL LIABILITY FOR NEGLIGENCE , STRICT LIABILITY OR ANY OTHER THEORY OF TORT LIABILITY IS EXPRESSLY DISCLAIMED.

If the products otherwise fail to conform to the representations made herein, through no fault of the buyer, buyer's exclusive remedy at Seves Glass Block's option, is the repair or replacement, of the nonconforming products or return of the purchase price paid by purchaser. If replacement is elected, Seves Glass Block will not be responsible for installation or labor costs. In no event shall Seves Glass Block be responsible or liable for any incidental, special, consequential or punitive damages which might result from product failure, regardless of the theory of liability upon which any such damages are claimed.

Seves Glass Block provides written warranties for many of its products, and such warranties take precedence over the statements contained herein. You may obtain a copy of the warranty for this product by contacting Seves Glass Block.

Instrucciones de Montaje

Sistema de instalación de bloques de vidrio de Mortero



Bloque de vidrio Seves

Sistema de instalación de bloques de vidrio de Mortero Instrucciones de montaje

Introducción:

El **Sistema Mortar I** utiliza canales perimetrales de bloques de vidrio en los cuatro lados. También utilizará espaciadores de mortero universales y mortero de bloques de vidrio para producir juntas limpias y consistentes de 1/4" y un aspecto de rejilla tradicional.

El **Sistema Mortar II** no utiliza los canales perimetrales del bloque de vidrio, sino que utiliza tiras de expansión, refuerzo de panel y anclajes de panel. También utilizará espaciadores de mortero universales y mortero de bloques de vidrio para producir juntas limpias y consistentes de 1/4" y un mirada de cuadrícula.

Aquí hay información adicional sobre cada método.

Mortar I: (página 3)

- Este método está diseñado para usarse con el bloque de vidrio de la serie Seves de 4 pulgadas (4" de grueso) y 3 pulgadas (3" de grueso).
- Las recomendaciones de instalación son para paneles residenciales pequeños de 25 pies cuadrados o menos.
- No debe usarse en construcción de paredes de curvos.
- Los paneles interiores y exteriores deben estar enmarcados en los cuatro lados.

Nota: *Este método no se debe utilizar en la construcción de aplicaciones de curvos. Todos los paneles de bloques de vidrio **NO** soportan carga, toman las medidas adecuadas para el soporte de la construcción alrededor del panel.*

Mortar II: (página 14)

- Este método es para usarse con el bloque de vidrio de la serie Seves de 4" pulgadas y 3" pulgadas.
- Las recomendaciones de instalación se pueden utilizar para paneles residenciales interiores o exteriores de más de 25 pies cuadrados o menos.
- Este método se puede utilizar para instalar proyectos enmarcados en dos, tres o cuatro lados.
- Serie de 4 pulgadas - Limitaciones de tamaño del panel - Interior (250 pies cuadrados máx.) Y * Exterior (144 pies cuadrados máx.).
- Serie de 3 pulgadas - Limitaciones de tamaño del panel - Interior (150 pies cuadrados máx.) Y * Exterior (85 pies cuadrados máx.).

* Las limitaciones de tamaño del panel exterior se basan en 20 PSF (libras por pie cuadrado). Para cargas de viento mayores consulte los códigos de construcción locales o llame a Seves Glass Block al. 1-877-SEVES11 (1-887-738-3711).

Nota: Todos los paneles de bloques de vidrio **NO** soportan carga, se deben tomar las medidas adecuadas para el soporte de la construcción alrededor del panel.

Las juntas de los sistemas **Mortar I** y **Mortar II** utilizan un método de instalación tradicional que utiliza un acabado de mortero para lograr el aspecto clásico de “rejilla”. Se debe usar sellador de bloques de vidrio para sellar el perímetro en ambos lados del panel. Antes de comenzar a instalar sus bloques de vidrio, decida qué método de instalación es el adecuado para su proyecto.

Los materiales necesarios para la instalación del bloque de vidrio Mortar System son:

1. Seves Bloque de vidrio de la serie de 3 o 4 pulgadas
2. Espaciadores de mortero universales
3. Canales perimetrales: 4 pulgadas o 3 pulgadas (*Sistema Mortero I*)
4. Tiras de expansión
5. Tornillos de cabeza plana galvanizados # 6 x1” (aprox. tres por pie lineal de canal perimetral) (*Sistema Mortero I*)
6. Refuerzo de paneles (*Sistema Mortar II*)
7. Anclajes de panel (*Sistema Mortar II*)
8. #12 x1" tornillos de cabeza plana galvanizados (*Sistema Mortar II*)
9. Mortero premezclado blanco de bloques
10. Sellador de bloques de vidrio
11. Pintura de retoque blanca (*Sistema Mortar I*)
12. Pintura de látex, adhesivo Weldbond® o asfalto emulsión dependiendo de la aplicación. (*Sistema Mortar II*)

Sistema Mortero I

Las herramientas necesarias para el sistema de instalación de bloques de vidrio Mortar I son una llana de margen, una bandeja de mortero, un cepillo de espuma de poliestireno, una esponja, tijeras para hojalata, un destornillador o taladro eléctrico, una sierra de dientes finos o una sierra para cortar ingletes, una pistola para calafatear, un cuchillo, una lima de metal, una cinta métrica, Herramienta de golpeo de 3/8" a 1/2" y nivel de 2'.

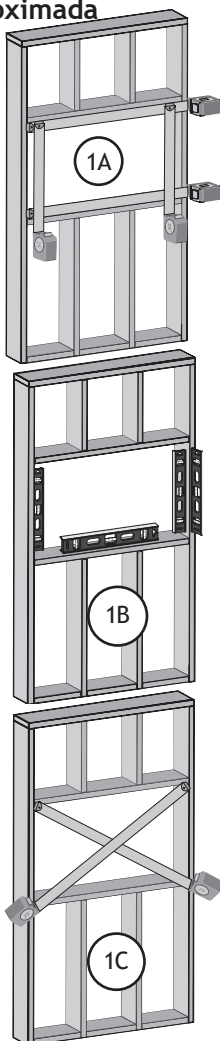
1. Prepare la apertura Aproximada

- A. Asegúrate de que la apertura es del tamaño correcto. A determinar el correcto tamaño de la abertura en bruto, agregue 1/4" a la suma de Tamaños nominales de bloque para tanto la altura como la anchura.

Ejemplo: Panel (usando Bloque de 8"x8") es de cuatro bloques ancho ($8 \times 4 + 1/4" = 32 - 1/4"$) y cinco cuadras de altura ($8 \times 5 + 1/4" = 40 - 1/4"$). abertura en bruto debe ser de $32 - 1/4"$ de ancho y $40 - 1/4"$ de alto.

- B. Usa un nivel para asegurarse de que la abertura esté nivelada y plomada.
- C. Mida la abertura en diagonal de esquina a esquina en ambas direcciones y compare las dimensiones para verificar que estén cuadradas. Estas dimensiones deben ser iguales dentro de 1/8".

Nota: Si hay algún problema con la apertura, haga ajustes antes de continuar.



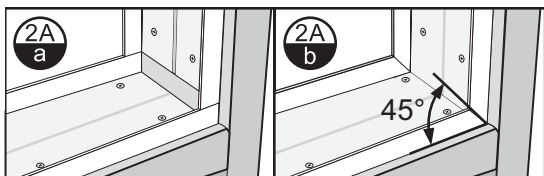
2. Instalación del Canal Perimetral

A. Corte el canal para que se ajuste al perímetro de la abertura. Los extremos del canal se pueden cortar rectos o en inglete.

a. Si corta los Extremos Rectos:

- Corte los canales superior y inferior al ancho de la abertura.
- Corte los canales laterales a la altura de la abertura menos 1-1/2" para que quepan entre los canales superior y inferior.

b. Si está ingleteando los extremos, haga todos los cortes en un ángulo de 45°.



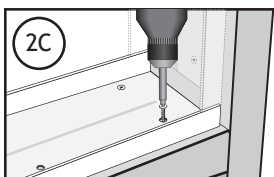
B. Corta el Canal Superior por la mitad a lo largo con un cuchillo. Marque la ranura central con el cuchillo y rompa el canal por la mitad. Aplique sellador de bloques de vidrio en la parte posterior del canal antes de instalar.

Note: Cortando el canal superior por la mitad permitirá instalar la fila superior de bloques.

C. Instalación del Canal Inferior:

- El canal se puede instalar en el centro de la abertura o al ras con el lado interior o exterior de la apertura.
- Fije el canal a la abertura insertando tornillos galvanizados de cabeza plana #6 x1" o equivalentes a través de los orificios pretaladrados en el canal. Inserte dos tornillos en cada extremo del canal.

Note: Si el pretaladrado agujeros en los extremos fueron recortado al cortar el canal a lo largo, taladra nuevos agujeros al final de la pieza cortada.

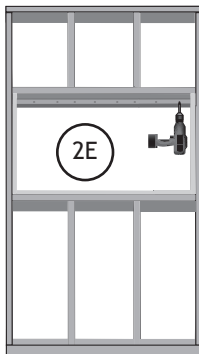


D. Instale los canales laterales de la misma manera asegurándose de que estén a plomo antes de fijar con tornillos.

Note: Es posible que desee deslizar un bloque de vidrio en el canal inferior en ambas esquinas para asegurarse de que los canales laterales estén alineados con el canal inferior.

E. Instale mitad Canal Superior:

- Coloque mitad canal en el parte superior de la apertura, asegúrese de que esté alineado con los canales laterales.
- Conecte el canal a la abriendo insertando #6 x1" tornillos galvanizados de cabeza plana a través de los agujeros pretaladrados en el canal. Insertar un tornillo en cada extremo del canal.
- En ventanas exteriores, el medio canal atornillado siempre debe ser el exterior.

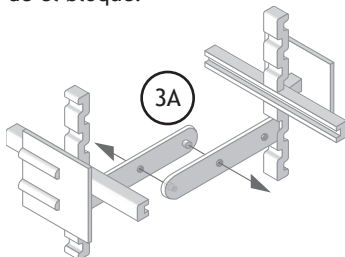


Nota: Si el pretaladrado agujeros en los extremos fueron recortado al cortar el canal a lo largo, taladra nuevos agujeros al final de la pieza cortada.

F. Pinte todas las cabezas de los tornillos de blanco para reducir su visibilidad.

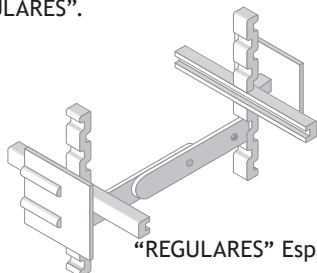
3. Preparación de Espaciadores Universales de Mortero

A. Monte los espaciadores para la serie de bloques que están instalando. Los espaciadores entran dos mitades, rompa los espaciadores juntos para adaptarse al ancho de el bloque.



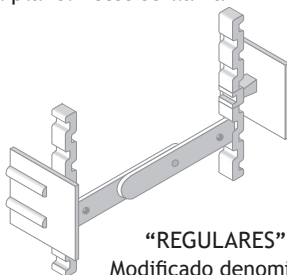
B. Modifique los espaciadores con tijeras de hojalata según su ubicación:

- Donde cuatro bloques se unen, espaciadores se utilizan como ensamblados. Estos se denominan “REGULARES”.



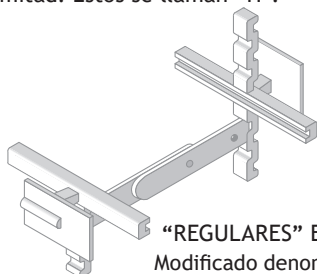
“REGULARES” Espaciador

- Donde el bloque se encuentra con el canal perimetral lateral, corte ambos juegos de patas lisas. Las pestañas giratorias permanecen en su lugar. Lime las rebabas para que el espaciador quedará plano. Estos se llaman “PLANO”.



“REGULARES” Espaciador Modificado denominado “PLANO”

- Para la fila superior de bloques, corte una pata superior dentada y corte la lengüeta giratoria por la mitad. Estos se llaman “H”.



“REGULARES” Espaciador Modificado denominado “H”

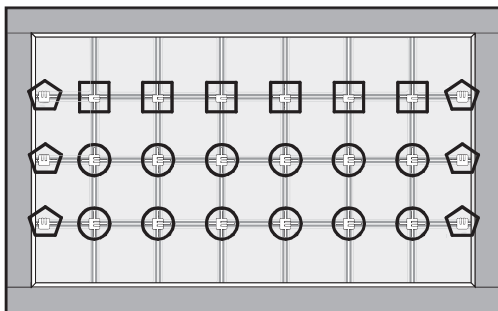
Note: Es importante a limar las rebabas.

Esta es una guía de referencia sobre dónde se utilizan espaciadores “REGULARES” y modificados.

○ = “REGULARES” Espaciador

◡ = “PLANO” Espaciador

□ = “H” Espaciador



4. Preparación de Mortero

Lo siguiente da una idea del número de bloques que se puede instalar por bolsa de mortero de 50 libras.

Mortero blanco premezclado para Bloques de Vidrio Número de bloques por bolsa de mortero de 50 lb.

Tamaños (Nominal)	4" x 8"	6" x 6"	6" x 8"	8" x 8"	12" x 12"
No. de 4-in Series (4" grueso)	34	34	30	26	18
No. de 3-in Series (3" grueso)	42	42	36	32	N/A

Basado en juntas de mortero de 1/4"

- A. Mezcle el mortero de acuerdo con las instrucciones de la bolsa de mortero de premezcla. Cuando se mezcla hasta obtener la consistencia adecuada, el mortero debe adherirse al borde del bloque de vidrio cuando se gira. Asegúrese de leer y comprender todas las precauciones descritas en el fabricante de morteros. El mortero recién mezclado puede causar irritación cutánea.

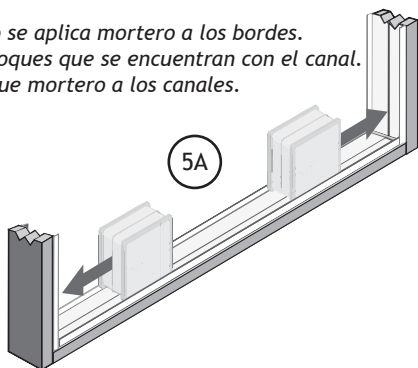
Nota: Agregue lentamente agua a la mezcla de mortero. No ezcilar más mortero del que puede instalar en una hora.

Note: Evite el contacto directo cuando sea posible y lave las áreas expuestas de la piel inmediatamente con agua. Si entra en contacto con los ojos, enjuáguelos inmediatamente con agua y busque atención médica de inmediato.

5. Instalar la Primera Fila

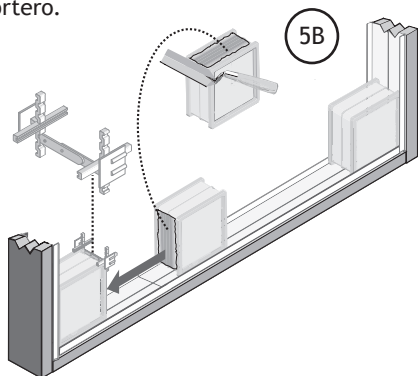
A. Coloque dos bloques de vidrio en el canal del umbral, deslizando un bloque en la jamba derecha y un bloque en la jamba izquierda. Asegúrese de que los bloques estén asentados los canales.

Note: No se aplica mortero a los bordes de los bloques que se encuentran con el canal. NO aplique mortero a los canales.

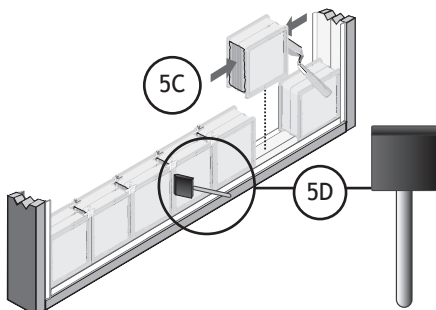


B. Instala el Siguiete Bloque:

- Aplique de 3/8" a 1/2" de mortero al borde de la siguiente bloque.
- Colocar el bloque en el canal con el mortero frente a un bloque previamente instalado.
- Mientras instala el bloque, inserte un espaciador "REGULARES" con el brazo transversal hacia abajo donde se unen los dos bloques.
- Empuje el bloque firmemente en su lugar, formando un 1/4" junta de mortero. Asegúrese de que la articulación esté completamente lleno de mortero.



- C. Instale los bloques restantes en la primera fila de la misma manera.
- Aplique de 3/8" a 1/2" de mortero a ambos bordes de la último bloque instalado en la fila.
 - Asegúrese de insertar espaciadores "REGULARES" con el brazo transversal hacia abajo, donde se unen dos bloques.
 - Empuje los bloques firmemente en su lugar, formando juntas de mortero de 1/4". Asegúrese de que las juntas estén completamente lleno de mortero.
- D. Retire el exceso de mortero con un cepillo de espuma de polietileno y rellene los huecos en ambos lados del panel.



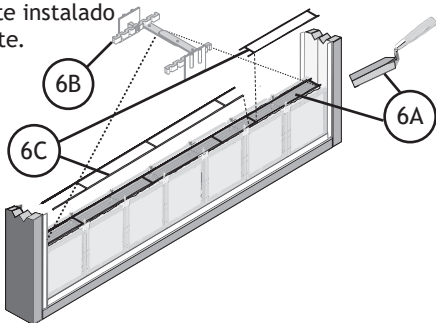
6. Instalar las Filas Restantes

- A. Aplique un lecho de mortero de 3/8" a 1/2" en la parte superior de la primera fila.

Nota: Tenga cuidado de mantener las piernas del espaciadores libres de mortero para asegurar que el siguiente fila de bloques se sentará plano en el espaciadores.

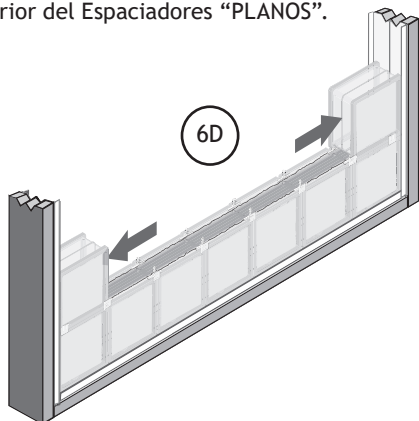
- B. Coloque un espaciador "PLANO" encima del primer y último bloque de la fila anterior donde se encuentran con los canales laterales.

- C. Instale el refuerzo de alambre de acero inoxidable Seves teniendo cuidado de no superponer ningún componente instalado previamente.



Nota: El refuerzo de alambre siempre se instala en parte superior del primer curso, en la parte superior del segundo último curso y 16 "en el centro en el medio.

D. Coloque el primer bloque y el último bloque de la siguiente fila en los canales laterales en la parte superior del Espaciadores "PLANOS".

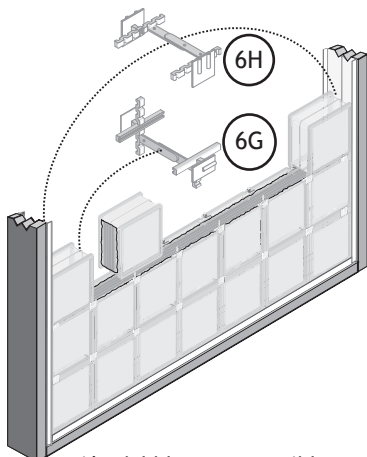


E. Instale los bloques restantes en la fila de la misma manera que la primera fila.

- Aplique de 3/8" a 1/2" de mortero al borde de cada bloque que se encuentra con un bloque anterior. Aplicar mortero a ambos bordes del último bloque instalado en la fila.
- Asegúrese de insertar espaciadores "REGULARES" con el brazo transversal hacia abajo, donde dos bloques se unen.
- Empuje los bloques firmemente en su lugar, formando 1/4" juntas de mortero. Asegúrese de que las juntas estén completamente llenas de mortero.
- Retire el exceso de mortero con un cepillo de espuma plástica, y rellene los huecos a ambos lados del panel.
- Verifique periódicamente para asegurarse de que los bloques estén rectos, nivelados y a plomo. Ajustar según sea necesario.

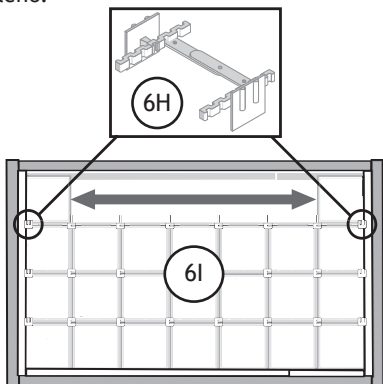
F. Repita los pasos 6A a 6E para instalar cada fila de bloque, excepto la penúltima fila.

- G. Instale el penúltimo fila de bloque usando Espaciadores “H” en su lugar de “REGULARES” espaciadores. Insertar Espaciadores “H” y Espaciadores “PLANOS” como se muestra.
- H. Coloque un lecho de mortero encima de la penúltima fila, instalando espaciadores “PLANOS” en cada esquina.



Nota: Para facilitar la colocación del bloque, es posible que quite la lengüeta del espaciador “PLANO” antes de colocar ambos bloques de esquina.

- I. Instale la última fila de bloque comenzando con un bloque en cada esquina superior, luego trabaje hacia el medio. Asegúrese de aplicar mortero a ambos lados del último bloque.
- I. Presione cualquier mortero que haya sido expulsado hacia atrás en las juntas con un cepillo de espuma de polietileno.



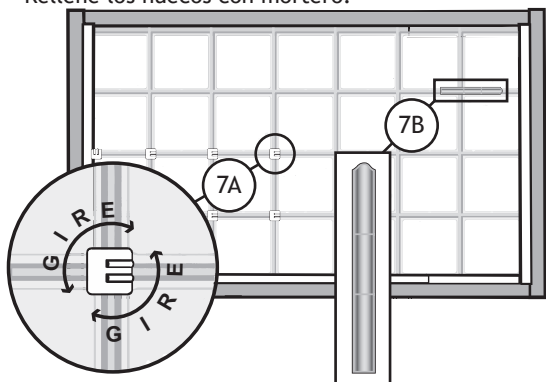
J. Retire todo el mortero de las caras del bloque de vidrio.

7. Refinamiento

Nota: Deje que el mortero se asiente durante aproximadamente una hora. antes de continuar.

Nota: Para evitar que el vidrio se raye, NO use materiales abrasivos para esta limpieza.

- A. Gire las lengüetas espaciadoras a ambos lados del panel.
- B. Con una presión moderada, pase la herramienta de golpe todas las articulaciones. Es mejor golpear todos los horizontales juntas primero, luego las juntas verticales para que el patrón sea uniforme. Rellene los huecos con mortero.

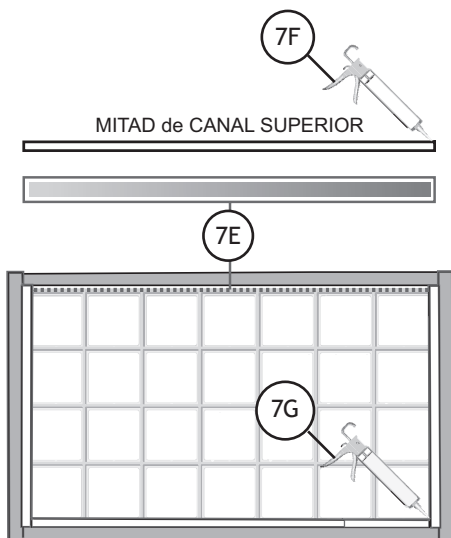


Nota: Golpear elimina el exceso de mortero y compacta la junta para crear un sello suave, cóncavo y a prueba de humedad.

- C. Utilice una esponja húmeda para eliminar el exceso de mortero de la cara del bloque, enjuagando la esponja con frecuencia. No se preocupe por la película seca que permanece en los bloques, se limpiará más tarde.

Nota: Deje que el mortero se seque durante aproximadamente dos o tres horas antes de continuar.

- D. Utilice un paño suave y seco para eliminar el exceso de película. Un estropajo de plástico doméstico común también puede ser usado.
- E. Corte la tira de expansión a un ancho de 1-1/2" y insértelo entre la parte superior de los bloques y el cuadro.



- F. Aplique sellador en la parte posterior de la mitad sección del canal e instálelo entre la tira de expansión y cuadro.
- G. Aplique sellador de bloques de vidrio alrededor del perímetro para sellar el bloque de vidrio y el canal. También sellar el canal superior al cuadro a la cabeza.

Note: Para paneles exteriores o áreas húmedas, también selle donde los canales se encuentran con el encuadre.

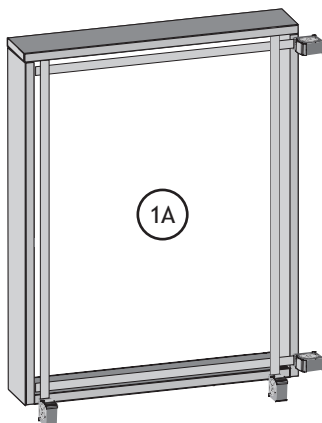
Sistema Mortero II

Las herramientas necesarias para el sistema de instalación de bloques de vidrio Mortar II son una llana de margen, una bandeja de mortero, 2 cepillos de espuma plástica, esponja, tijeras para hojalata, destornillador o taladro eléctrico, pistola de calafateo, cuchillo, lima de metal, cinta métrica, herramienta para golpear de 3/8" a 1/2", nivel de 2' y mazo de goma.

1. Prepare la Apertura Aproximada

Note: Para aquellas aplicaciones de bloques de vidrio que comienzan en nivel del piso, le recomendamos que haga una base de acera tan ancho como el bloque de vidrio utilizado. Esto ayudará proteger la fila inferior del bloque de vidrio contra daños (aspiradoras, fregonas, etc.).

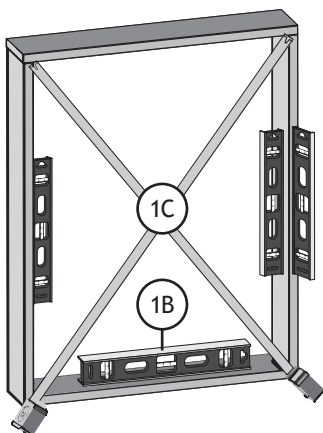
- A. Asegúrese de que la abertura sea del tamaño correcto. Para determinar el tamaño correcto de la abertura sin terminar, agregue 1/2" a la suma de los tamaños de bloque nominales para la altura y el ancho.



Ejemplo: El panel (usando un bloque de 8" x 8") tiene catorce bloques de ancho ($8 \times 14 + 1/2" = 112 - 1/2"$) y diez bloques de alto ($8 \times 10 + 1/2" = 80 - 1/2"$). La abertura aproximada debe ser 112-1/2" de ancho y 80-1/2" de alto.

B. Use un nivel para asegurarse de que la abertura esté nivelada y a plomo.

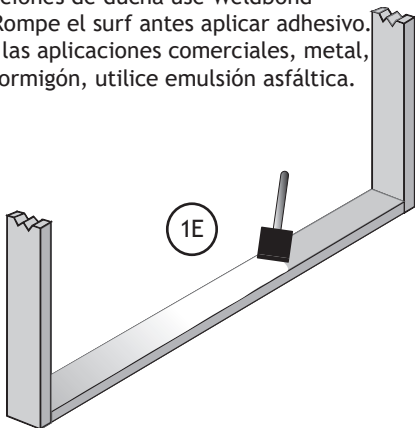
C. Mide la abertura en diagonal de esquina a esquina en ambas direcciones, y compare las dimensiones para comprobar la cuadratura. Estas dimensiones deben ser iguales dentro de 1/8”.



D. Si hay algún problema con la apertura, haga ajustes antes de continuar.

E. Use un cepillo de espuma de polietileno para tratar el alféizar con látex pintura, adhesivo Weldbond® o emulsión asfáltica como se especifica a continuación.

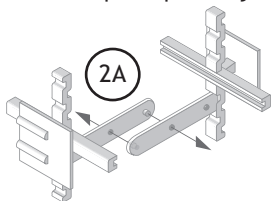
- Para interiores de madera, aplicaciones que no sean de ducha, use pintura de látex.
- Para aplicaciones de ducha use Weldbond® adhesivo. Rompe el surf antes aplicar adhesivo.
- Para todas las aplicaciones comerciales, metal, ladrillo u hormigón, utilice emulsión asfáltica.



Si usa Weldbond®, aplique mortero a la superficie antes de que cure. De lo contrario, deje que el área tratada se asiente y cure antes de instalar la primera fila de bloques.

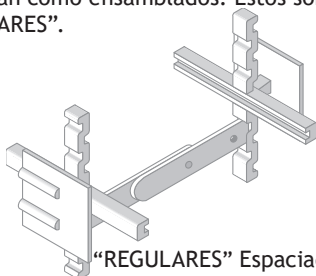
2. Preparación de Espaciadores Universales de Mortero, Anclajes de Panel y Tiras de Expansión

- A. Ensamble los espaciadores para la serie de bloques que está instalando. Los espaciadores vienen en dos mitades, encaja los espaciadores para que se ajusten al ancho del bloque.

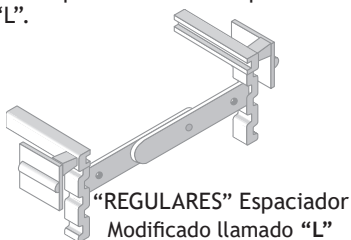


- B. Modifique los espaciadores con tijeras de hojalata según su ubicación:

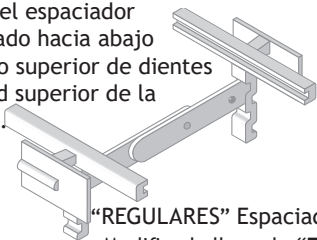
- Donde se juntan cuatro bloques, los espaciadores se utilizan como ensamblados. Estos son llamados "REGULARES".



- Para las dos esquinas inferiores del panel, oriente el espaciador con el brazo transversal hacia abajo y recorte las patas superiores dentadas. Recorte la mitad superior de las pestañas giratorias. Corte el lado izquierdo o derecho de la lengüeta giratoria restante y las patas lisas del mismo lado. Solo dos de estos espaciadores son requeridos. Recorta el conjunto correcto de patas lisas de un espaciador, el conjunto izquierdo del otro espaciador. Estos se llaman "L".



- Donde el bloque de vidrio se encuentra con las jambas y el bordillo (excepto en las cuatro esquinas) oriente el espaciador con el brazo cruzado hacia abajo y recortar el juego superior de dientes piernas, y la mitad superior de la lengüeta giratoria. Estos son llamado "T".



"REGULARES" Espaciador
Modificado llamado "T"

Nota: Prepare un suministro de espaciadores en "T" antes de comenzar, para que la construcción de su panel pueda continuar sin interrupción.

Note: Es importante a limar las rebabas.

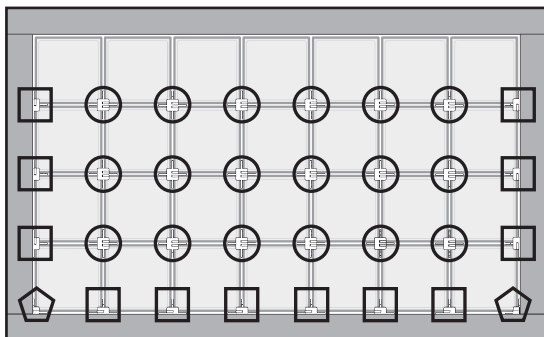
C. Construya en seco su panel (sin mortero) para asegúrese de que su bloque se ajuste a la abertura y usted tener un suministro adecuado de espaciadores preparados.

Esta es una guía de referencia sobre dónde se utilizan espaciadores "REGULARES" y modificados.

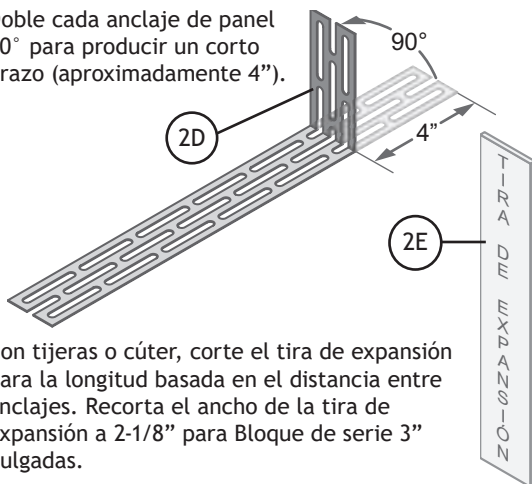
○ = "REGULARES" Espaciador

◡ = "L" Espaciador

□ = "T" Espaciador



- D. Doble cada anclaje de panel 90° para producir un corto brazo (aproximadamente 4”).



- E. Con tijeras o cúter, corte el tira de expansión para la longitud basada en el distancia entre anclajes. Recorta el ancho de la tira de expansión a 2-1/8” para Bloque de serie 3” pulgadas.

3. Preparación de Mortero

Esta tabla le dará una idea de la cantidad de bloques que se pueden instalar por bolsa de mortero de 50 libras con juntas de mortero de 1/4”.

Mortero blanco premezclado para Bloques de Vidrio					
Número de bloques por bolsa de mortero de 50 lb.					
Tamaños (Nominal)	4" x 8"	6" x 6"	6" x 8"	8" x 8"	12" x 12"
No. de 4-in Series (4" grueso)	34	34	30	26	18
No. de 3-in Series (3" grueso)	42	42	36	32	N/A

Basado en juntas de mortero de 1/4"

- A. Mezcle el mortero de acuerdo con las instrucciones de la bolsa de mortero de premezcla. Cuando se mezcla hasta obtener la consistencia adecuada, el mortero debe adherirse al borde del bloque de vidrio cuando se gira. Asegúrese de leer y comprender todas las precauciones descritas por el fabricante del mortero. El mortero recién mezclado puede causar irritación cutánea.

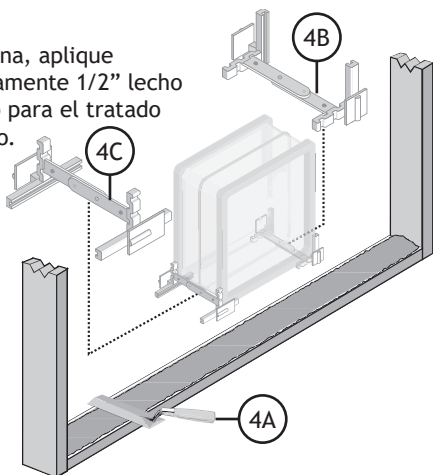
Nota: Agregue lentamente agua a la mezcla de mortero. NO mezcle más mortero del que pueda instalar en una hora.

Note: Evite el contacto directo cuando sea posible y lávese áreas expuestas de la piel inmediatamente con agua. Si alguno se pone en los ojos, enjuague inmediatamente con agua y busque atención médica inmediata.

4. Instalar la Primera Fila

Nota: Si su proyecto está enmarcado en 3 o 4 lados, complete los Pasos A a K. Si su proyecto está enmarcado en 2 lados, omita al Paso L.

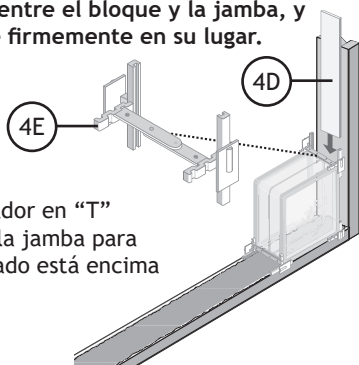
- A. Con una llana, aplique aproximadamente 1/2" lecho de mortero para el tratado acera o piso.



- B. Sin aplicar mortero al primer bloque, coloque un espaciador en "L" en la esquina exterior inferior del bloque de modo que el brazo transversal del espaciador quede en la parte inferior, entre el bloque de vidrio y el bordillo..

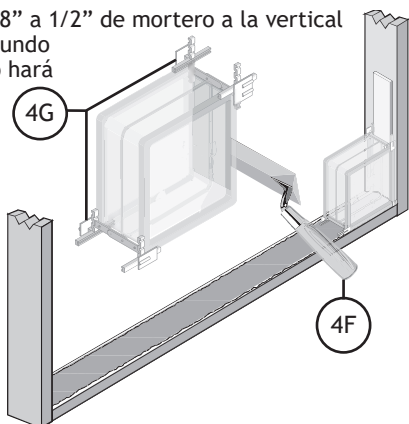
- C. Coloque un espaciador en "T" en la otra esquina inferior del bloque con el brazo cruzado del espaciador hacia arriba.

- D. Desliza una pieza de expansión recortada de 16" de largo tira entre el bloque y la jamba, y empuja el bloque firmemente en su lugar.

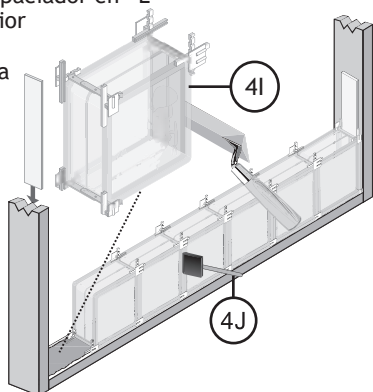


- E. Deslice un espaciador en "T" entre el bloque y la jamba para que el brazo cruzado está encima de el bloque.

- F. Aplique de 3/8" a 1/2" de mortero a la vertical borde del segundo bloque que lo hará Contacta el anterior bloquear.



- G. Coloque el segundo bloque usando un espaciador en "T" en la parte inferior y un espaciador "REGULARES" en la parte superior con el brazo cruzado del espaciador entre los dos bloques. Empuje los dos bloques juntos.
- H. Siga este procedimiento para todos los bloques restantes en la primera fila excepto para el último bloque.
- I. Instale el último bloque similar al primer bloque, insertando un espaciador en "L" en la parte inferior esquina exterior de manera que la brazo cruzado esta en el fondo, Entre el bloque y el bordillo.



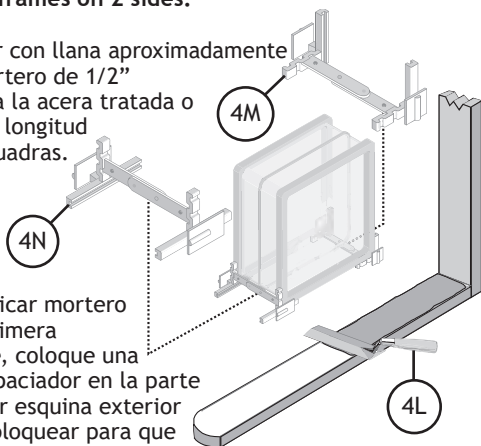
- J. Compruebe periódicamente para asegurarse de que los bloques de vidrio son rectos, nivelados y aplomados.

Nota: Si encuentra un problema, ajuste el bloque en su lugar con un mazo de goma antes de continuar.

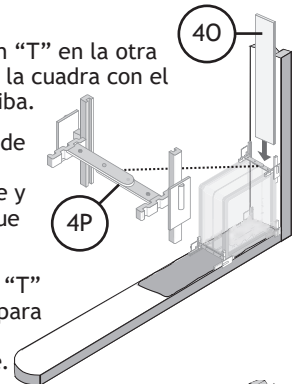
- K. Con un cepillo de espuma de polietileno, retire el exceso de mortero y llene cualquier vacío en ambos lados de su panel.

Projects frames on 2 sides:

- L. Aplicar con llana aproximadamente un mortero de 1/2" cama a la acera tratada o piso la longitud de 2 cuadras.

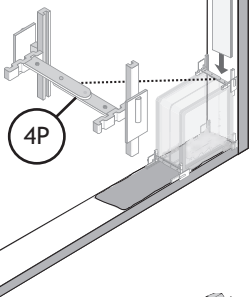


- M. Sin aplicar mortero a la primera bloque, coloque una "L" espaciador en la parte inferior esquina exterior de la bloquear para que la cruz el brazo está en la parte inferior, entre el bloque de vidrio y acera.



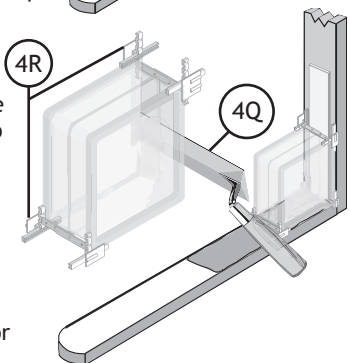
- N. Coloque un espaciador en "T" en la otra parte inferior esquina de la cuadra con el cruzar el brazo hacia arriba.

- O. Deslice una pieza de 16" de largo tira de expansión recortada entre el bloque y jamba y empujar el bloque firmemente en su lugar.



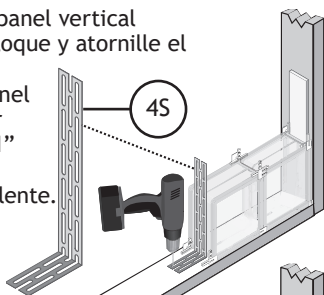
- P. Deslice un espaciador en "T" entre el bloque y jamba para que el el brazo cruzado está encima de el bloque.

- Q. Aplique de 3/8" a 1/2" de mortero al borde vertical del segundo bloque que entrará en contacto con el bloque anterior.



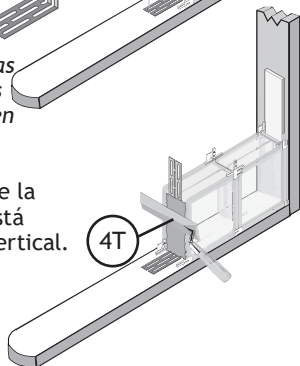
- R. Coloque el bloque usando un espaciador en "T" en la parte inferior y Espaciador "REGULARES" en la parte superior con el brazo transversal entre los dos bloques. Empuje los bloques juntos.

- S. Instale un anclaje de panel vertical después el segundo bloque y atornille el pata corta del ancla a la acera. Todo el panel los anclajes deben ser adjunto usando #12 x1” tornillos de cabeza galvanizados o equivalente. Utilice dos tornillos por ancla.



Note: Si adjunta el ancla de panel a baldosas o mampostería, anclajes plástico de tornillo deben ser usado.

- T. Aplicar mortero para que la pierna larga del ancla está incrustada en la junta vertical.



- U. Siga este procedimiento para el resto de los bloques en la primera fila, instalando un ancla de panel después de cada 2 bloques.

- V. Verifique periódicamente para asegurarse de que los bloques de vidrio estén rectos, nivelados y a plomo.

Note: Si encuentra un problema, ajuste el bloque en colocar con un mazo de goma antes de continuar.

- W. Con un cepillo de espuma de polietileno, retire exceso de mortero y rellenar los huecos en ambos lados de su panel.



5. Instalación de las Filas Restantes

- A. Aplique una cama de mortero de 3/8" a 1/2" en parte superior de la primera fila.

Nota: Tenga cuidado de mantener las piernas del espaciadores libres de mortero para asegurar que el siguiente fila de bloques se sentará plano en el espaciadores.

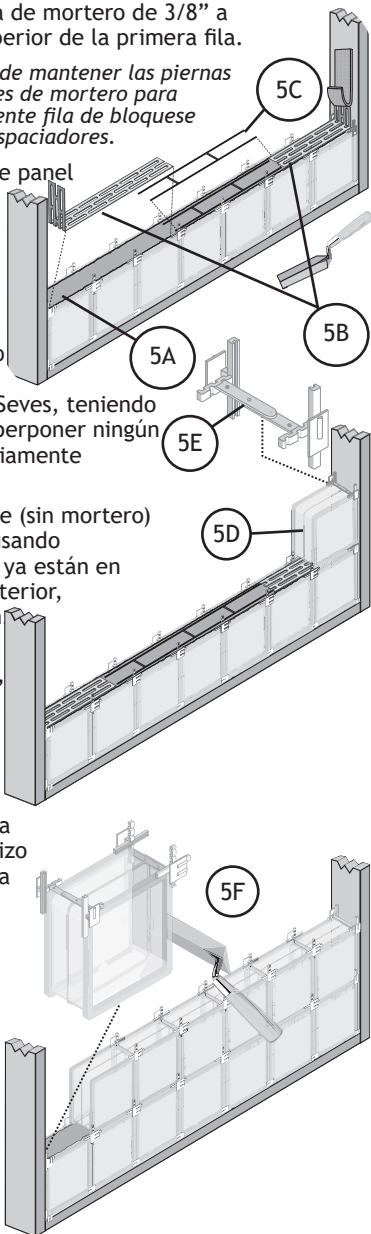
- B. Instale anclajes de panel en ambas jambas incrustándolos completamente en el mortero y sujetándolos a la jamba.

- C. Instale el refuerzo de alambre de acero inoxidable Seves, teniendo cuidado de no superponer ningún componente previamente instalado.

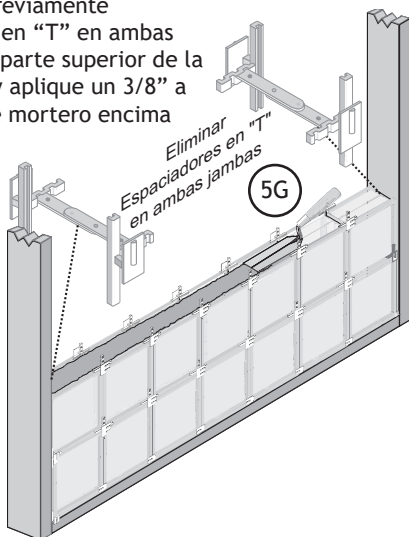
- D. Coloque un bloque (sin mortero) contra la jamba usando espaciadores que ya están en lugar de la fila anterior, para la alineación.

- E. Coloque un espaciador en "T" en el esquina superior de este bloque en contra de jamba.

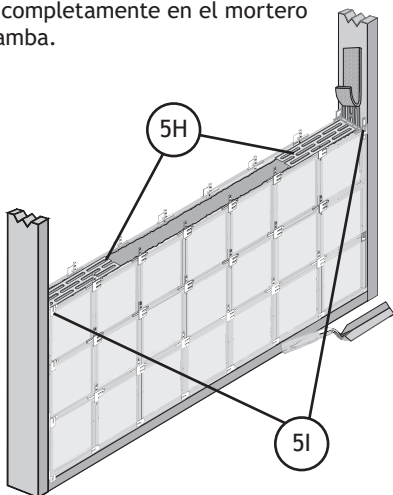
- F. Continúe con cada bloque como lo hizo con la primera fila.



- G. Desinsta el previamente Espaciadores en "T" en ambas jambas en la parte superior de la segunda fila y aplique un 3/8" a 1/2" lecho de mortero encima de esta fila.



- H. Instale anclajes de panel en ambas jambas incrustándolos completamente en el mortero y fijarlos a la jamba.

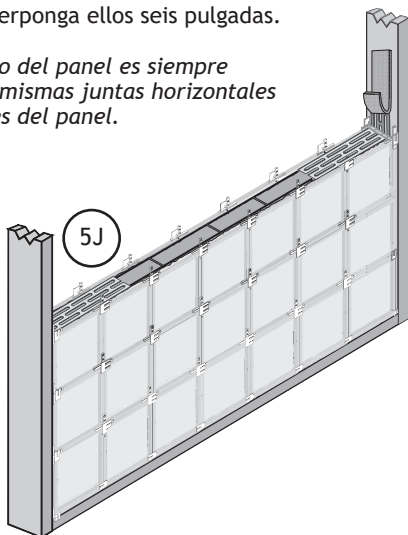


- I. Vuelva a insertar los espaciadores en "T" que quitó anteriormente.

Nota: Puede ser necesario aplicar mortero adicional a cubrir el ancla.

J. Presione ligeramente el refuerzo del panel en el lecho de mortero a lo largo de toda la longitud del panel para que quede completamente integrado en el mortero. Donde se necesite más de una tira de refuerzo, superponga ellos seis pulgadas.

Nota: El refuerzo del panel es siempre instalado en las mismas juntas horizontales como los anclajes del panel.



Nota: Si utiliza un bloque de vidrio de tamaño nominal de 12"x12", se deben instalar anclajes de panel y refuerzo de panel en parte superior de cada fila, excepto la fila superior.

K. Continúe con las filas restantes como se describió anteriormente.

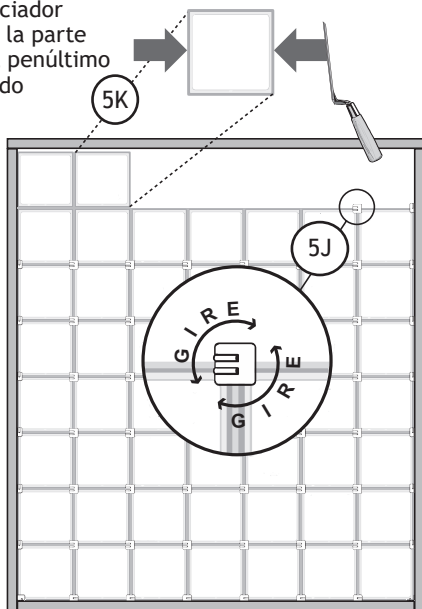
Recordatorio:

- Instale tiras de expansión a lo largo de las jambas mientras continúa.
- Verifique periódicamente para asegurarse de que su panel permanezca nivelado y a plomo.
- Use un cepillo de espuma de poliestireno para presionar el mortero exprimido hacia las juntas.

Nota: Si su proyecto no está enmarcado en la parte superior, instale las unidades de acabado en la fila superior, luego pase a las instrucciones de Acabado. Si su proyecto está enmarcado en la parte superior, continúe con el Paso L.

Nota: La instalación de la última fila será diferente a las filas anteriores en que instalará anclajes de panel vertical.

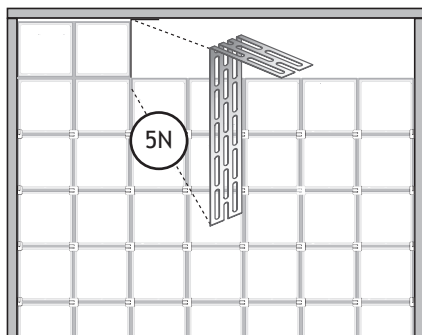
- L. Gire el espaciador pestañas en la parte superior del penúltimo fila en un lado del panel.



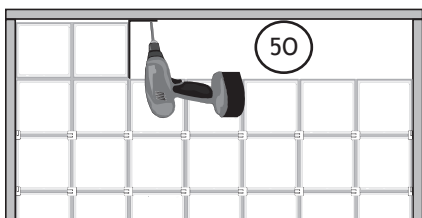
- M. Instale dos bloques, untando ambos lados verticales del segundo bloque antes de instalar.

Nota: No se requieren espaciadores en la parte superior del panel.

- N. Instale el ancla del panel vertical con la pata larga hacia abajo. Incruste completamente la pata larga del ancla en la junta de mortero vertical.



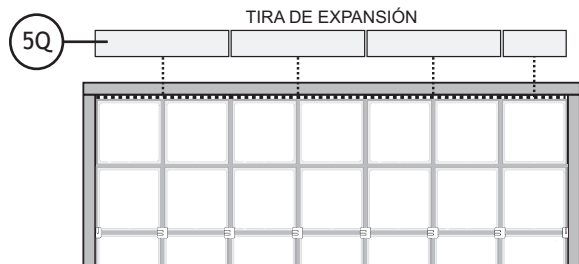
- O. Atornille la pata corta del ancla a la parte superior de la abertura.



- P. Continúe con este procedimiento de dos bloques en la última fila. Después de instalar el bloque final, asegúrese de volver a presionar en las juntas cualquier mortero que haya sido expulsado.

- Q. Instale la tira de expansión en la cabeza.

Nota: Debido a que la capa superior se encuentra con la tira de expansión en la cabeza, no se coloca mortero en el borde superior de estos bloques.

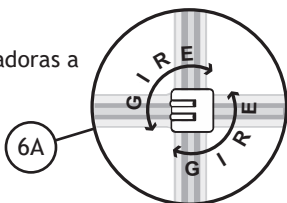


6. Refinamiento

Nota: Deje que el mortero se asiente durante aproximadamente una hora antes de continuar.

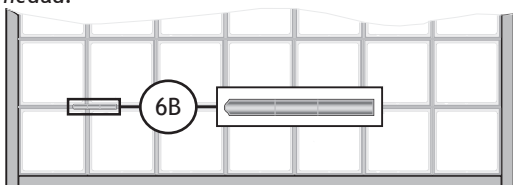
Nota: Para evitar que el vidrio se raye, NO use materiales abrasivos para esta limpieza.

- A. Gire las lengüetas espaciadoras a ambos lados del panel.



- B. Con una presión moderada, pase la herramienta de golpe todas las articulaciones. Es mejor golpear todos los horizontales juntas primero, luego las juntas verticales para que la el patrón es uniforme. Rellene los huecos con mortero.

Note: Golpear elimina el exceso de mortero y compacta para crear un sello suave, cóncavo ya prueba de humedad.

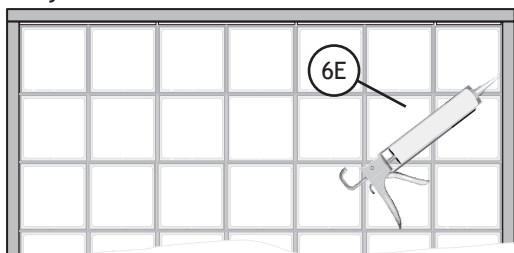


- C. Después de golpear, use una esponja húmeda para eliminar el exceso de mortero de la cara del bloque, enjuagando la esponja con frecuencia. No se preocupe por el residuo seco que queda en los bloques, luego se limpiará.

Note: Deje que el mortero se seque durante aproximadamente dos o tres horas antes de continuar.

- D. Utilice un paño suave y seco para eliminar el exceso de película. Un estropajo de plástico doméstico común también puede ser usado.
- E. En ambos lados del panel, aplique sellador a las juntas en la cabeza (parte superior) y las jambas (lados).

Nota: Donde se usó bordillo, querrá cubrirlo con molduras. También puede utilizar molduras en las jambas y la cabecera.



- F. Si su panel de bloques de vidrio funcionará como una pared de ducha, después de aproximadamente una semana, cubra las juntas de mortero en ambos lados del panel con sellador de lechada para baldosas para proteger contra el moho y los hongos. Repite esto cada dos a tres años.

Mantenimiento

Una parte importante de la belleza funcional de Los productos de Seves Glass Block es que son prácticamente libres de mantenimiento. No hay nada que pudrirse, oxidarse, pelar o pintar. Todo lo que se necesita es una limpieza ocasional con un paño suave y húmedo en los paneles interiores o una manguera en los paneles exteriores, con una atención mínima. ¡Su bloque de vidrio Seves permanecerá brillante y hermoso por años!

Si Necesita Ayuda

Esperamos que estas instrucciones sean claras y respondan sus preguntas sobre la instalación de Seves Glass Block. Para obtener información adicional sobre Seves Glass Block, visite nuestro sitio web en sevesglassblockinc.com.

La información aquí contenida es precisa y confiable a nuestro leal saber y entender. Pero, porque Seves Glass Block no tiene control sobre la instalación, mano de obra, materiales accesorios o condiciones de aplicación NO HAY REPRESENTACIÓN O GARANTÍA, EXPRESA O IMPLÍCITA, YA SEA EN CUANTO A COMERCIALIZACIÓN O APTITUD PARA UN PROPÓSITO PARTICULAR, SE HACE al desempeño o los resultados de una instalación que contiene los productos que se extiende más allá de la descripción en la carátula del presente y CUALQUIER Y TODA RESPONSABILIDAD POR NEGLIGENCIA, RESPONSABILIDAD ESTRUCTURAL O CUALQUIER OTRA TEORÍA DE RESPONSABILIDAD EXTRACTIVA SE RECHAZA EXPRESAMENTE.

Si los productos no se ajustan a las representaciones hechas en este documento, sin culpa del comprador, el remedio exclusivo del comprador, a opción de Seves Glass Block, es la reparación o reemplazo de los productos no conformes o la devolución de la compra. precio pagado por el comprador. Si se elige un reemplazo, Seves Glass Block no será responsable de Costos de instalación o mano de obra. En ningún caso Seves Glass Block será responsable por cualquier daño incidental, especial, consecuente o punitivo que podría resultar de una falla del producto, independientemente de la teoría de la responsabilidad sobre la cual se reclamen dichos daños.

Seves Glass Block ofrece garantías escritas para muchos de sus productos, y dichas garantías tienen prioridad sobre las declaraciones aquí contenidas. Puede obtener una copia de la garantía de este producto comunicándose con Seves Glass Block.

SEVES GLASS BLOCK

Seves Glass Block Inc.
Springfield, IL 62704

www.sevesglassblockinc.com

Weldbond® es una marca registrada de F. T. Ross Ltd. Todas las demás marcas comerciales y marcas comerciales registradas en este folleto son propiedad y están protegidos por

Seves Glass Block Inc.

Weldbond® is a registered trademark of F. T. Ross Ltd. All other trademarks and registered trademarks in this brochure are owned and protected by

Seves Glass Block Inc.
