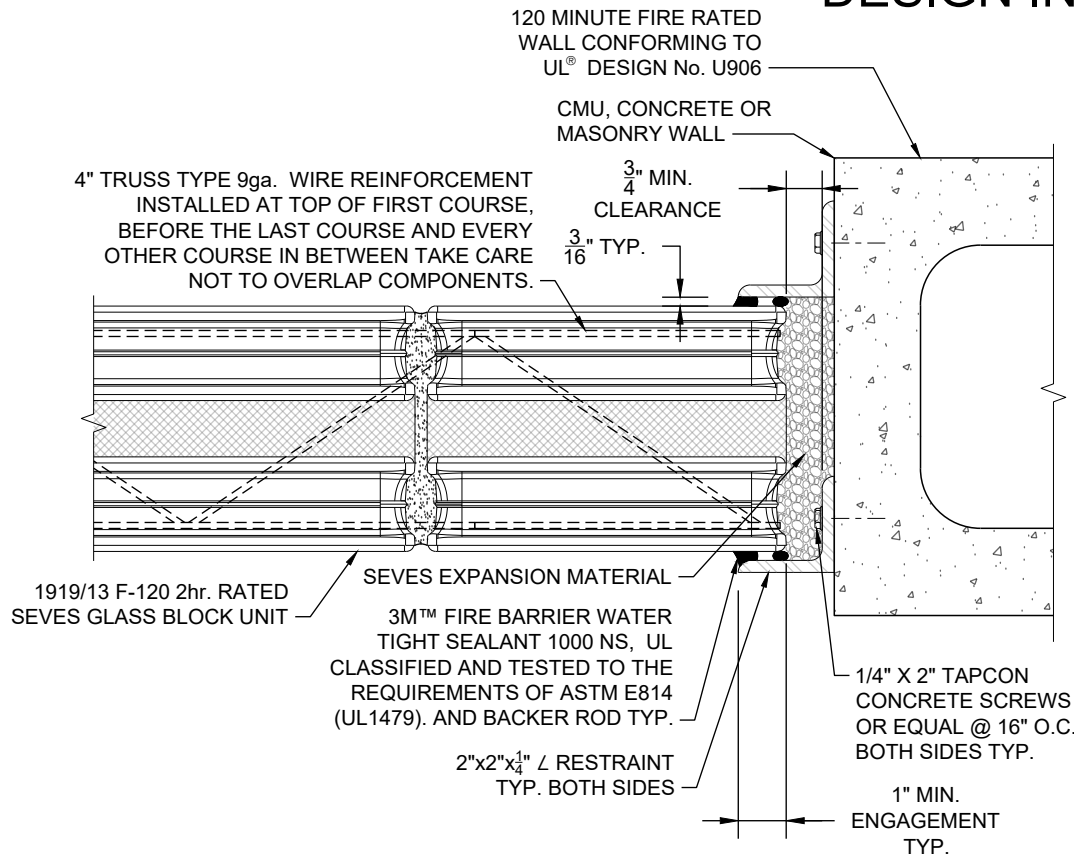
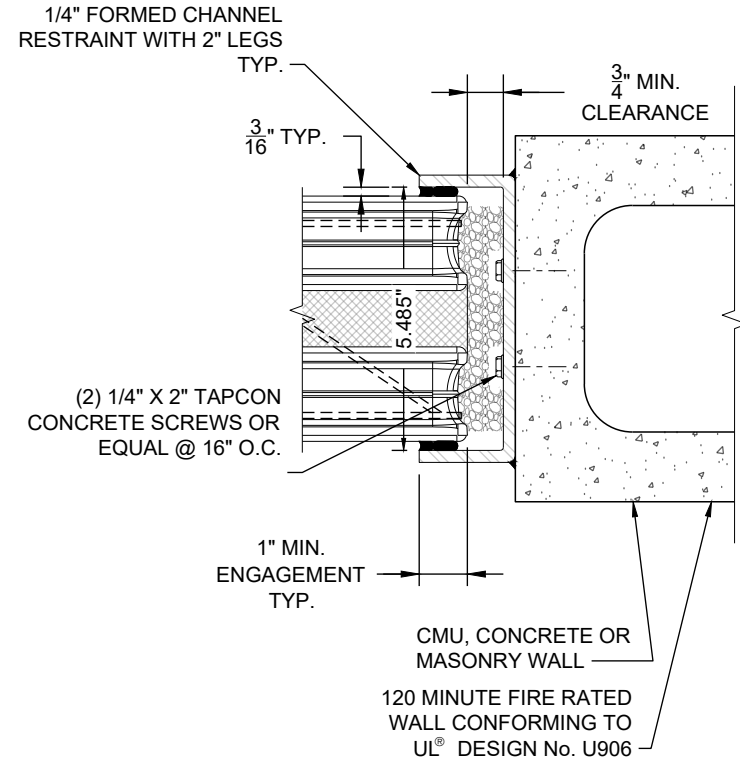


DESIGN INTENT



ANGLE IRON RESTRAINT
SCALE: 3"=1'-0"



FORMED CHANNEL RESTRAINT
SCALE: 3"=1'-0"

NOTE:
USE OF A MASONRY OR CONCRETE CHASE, ANGLE IRON OR FORMED CHANNEL RESTRAINT REQUIRED TO CONFORM WITH ASTM STANDARD

ASTM E-119 JAMB DETAIL - 120 MIN WALL RATED FIRE GLASS BLOCK AT CMU WALL

CONFIDENTIAL – PROPRIETARY THESE DRAWINGS WERE CREATED BY AND REMAIN THE PROPERTY OF SEVES GLASS BLOCK INC. UNAUTHORIZED DISCLOSURE, DISTRIBUTION OR COPYING OF THESE DRAWINGS IS STRICTLY PROHIBITED. THE FOLLOWING DETAILS ILLUSTRATE DESIGN INTENT; VARIATIONS MAYBE ACCEPTABLE. PLEASE CONTACT SEVES GLASS BLOCK TECHNICAL DEPARTMENT FOR FURTHER CONSULTATION.

SEVES GLASS BLOCK	PROJECT ASTM E-119 WALL RATED DETAIL		
	TITLE JAMB - 120 MIN WALL RATED FIRE GLASS BLOCK AT CMU WALL		
	SCALE 3"=1'-0"	DWG. NO. FR-124	REV 0
	BY MAI	DATE 06/01/2022	SHEET 1