



LightWise[®]

Residential Series

PRE-ASSEMBLED GLASS BLOCK WINDOWS

100% REAL GLASS BLOCK FROM SEVES!

The Wise Choice! Now More Than Ever. Seves LightWise[®] Residential Series Windows are a wise choice when you want the beauty and durability of real glass block with less installation hassle. Every LightWise[®] Window starts with Real Seves Glass Block, which resists scratching and won't burn or discolor like plastic block.

Beauty Wise! Few Windows Can Beautify A Room Like Lightwise[®]. That is because nothing can compare to the beauty of glass block. No other material can capture light like glass. It can brighten any room with beautiful, soft, natural light.

Design Wise! Ideal For Bathroom Applications Or As An Accent For Any Room To Let Light In. You can control privacy and appeal by varying pattern selections. Eliminate the need for window treatments and let the natural beauty of glass shine through.

Comfort Wise! You Can Be Comfortable In A Room With Lightwise[®] Windows. By selecting varying block patterns, you can control visibility, without sacrificing natural light. Glass block can also provide excellent sound insulation.

Make the WISE Choice!

- Full 3" thick real glass block windows with powder-coated, thermally enhanced aluminum frames.
- Two-color frames are standard!
- Maintenance-free, no mold or mildew, no scratches.
- Easy to clean with off-the-shelf cleaners.
- Will not yellow from cleaners like with acrylic block.
- Over 6,000 window combinations available!



Easy Installation

Seves LightWise® Residential Series Windows are completely assembled, weather sealed, and install the same as any window with integrated nailing fins. Now, anyone can install glass block!

Nationwide Shipping

We manufacture each window to your exact specification before carefully packaging and shipping for safe delivery.

Guaranteed Quality

Every component of a LightWise® Residential Series window is designed to provide the highest quality and the most design flexibility of any glass block window product in the industry. Meticulous attention to detail by highly skilled craftsmen assures consistent warranted, quality in every window.

Did You Know:

- Our real glass block will not scratch, haze, or yellow like acrylic block - maintenance free
- High-performance silicone between glass block is mold & mildew resistant
- Easy to keep clean with off-the-shelf bath cleaners
- No restrictions like acrylic block

Key Features and Options:

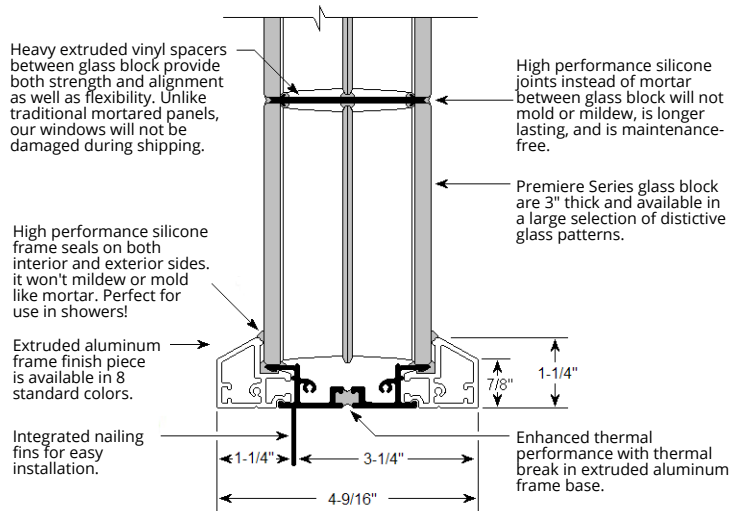
- Select different frame colors for exterior and interior sides (no extra cost) - 8 standard colors to choose from
- Full 3" thick glass block - select from 5 distinctive glass patterns
- Completely factory assembled and weather sealed on both sides
- Powder-coat finishes are much more durable than paint for shower and bath installations
- Anti-fungal silicone joints and frame seals will not mold or mildew
- 79 standard window sizes
- 190 custom colors available at additional cost (call factory for details)

Block Patterns:



Frame Colors:

Available in a variety of powder coat frame colors. Choose one color for the exterior side and another for the interior.



Seves Glass Block Inc.
10576 Broadview Road
Cleveland, Ohio 44147
PH 1-440-627-6257

Toll Free 1-877-SEVES11 (1-877-738-3711)
www.sevesglassblockinc.com



Distributed By: