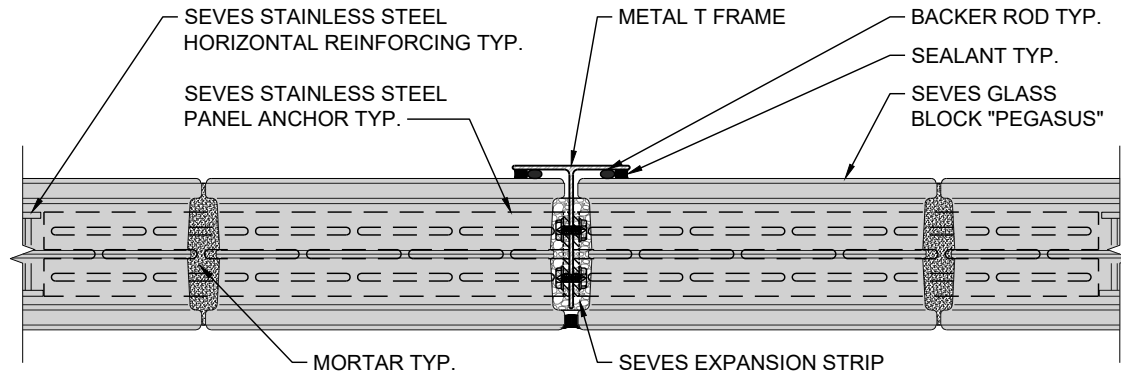


VERTICAL STIFFENER



## "T" INTERMEDIATE VERTICAL SUPPORT IN MULTIPLE PANELS



PROJECT PEGASUS Q19 CONSTRUCTION DETAIL		
TITLE VERTICAL STIFFENER - INTERMEDIATE VERTICAL SUPPORT IN MULTIPLE PANELS		
SCALE 3"=1'-0"	DWG. NO. Q-451	REV 0
BY MAI	DATE 06/02/2020	SHEET 1

CONFIDENTIAL – PROPRIETARY THESE DRAWINGS WERE CREATED BY AND REMAIN THE PROPERTY OF SEVES GLASS BLOCK INC. UNAUTHORIZED DISCLOSURE, DISTRIBUTION OR COPYING OF THESE DRAWINGS IS STRICTLY PROHIBITED. THE FOLLOWING DETAILS ILLUSTRATE DESIGN INTENT; VARIATIONS MAYBE ACCEPTABLE. PLEASE CONTACT SEVES GLASS BLOCK TECHNICAL DEPARTMENT FOR FURTHER CONSULTATION.