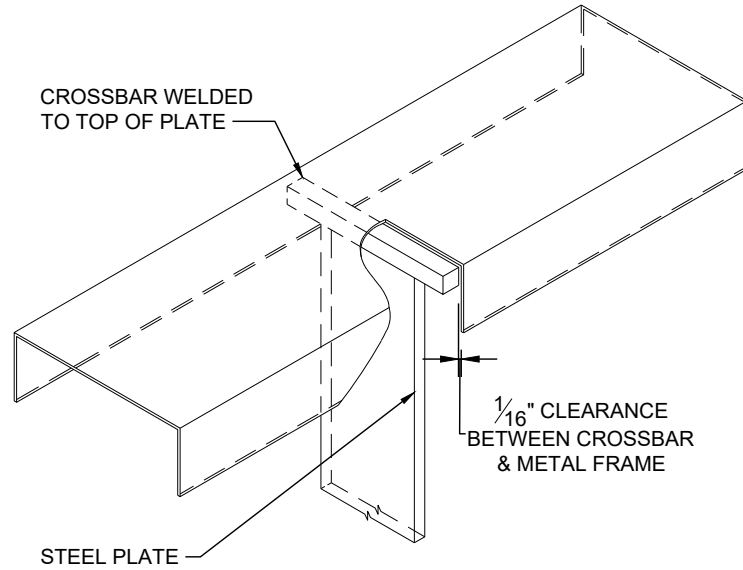
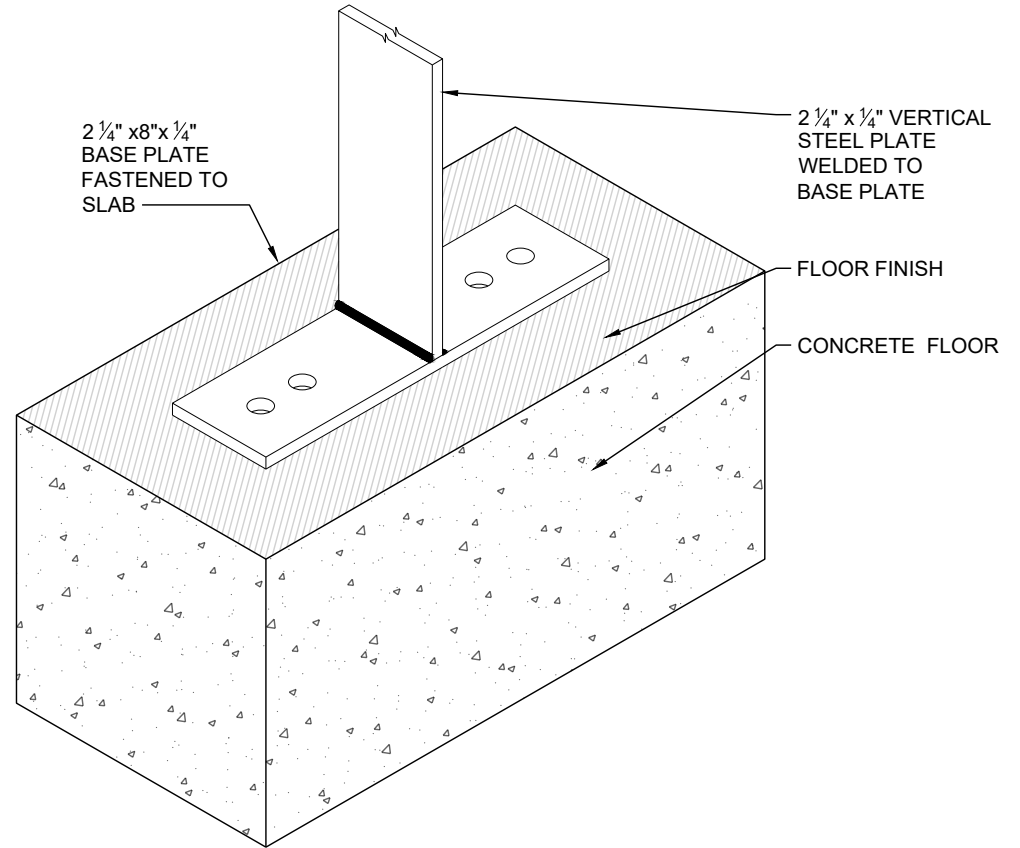


VERTICAL STIFFENER



VERTICAL STIFFENER PLATE ANCHORING AT CEILING



VERTICAL STIFFENER PLATE ANCHORING AT CONCRETE SLAB

CONFIDENTIAL – PROPRIETARY THESE DRAWINGS WERE CREATED BY AND REMAIN THE PROPERTY OF SEVES GLASS BLOCK INC. UNAUTHORIZED DISCLOSURE, DISTRIBUTION OR COPYING OF THESE DRAWINGS IS STRICTLY PROHIBITED. THE FOLLOWING DETAILS ILLUSTRATE DESIGN INTENT; VARIATIONS MAYBE ACCEPTABLE. PLEASE CONTACT SEVES GLASS BLOCK TECHNICAL DEPARTMENT FOR FURTHER CONSULTATION.



PROJECT PEGASUS Q19 CONSTRUCTION DETAIL		
TITLE VERTICAL STIFFENER - INTERMEDIATE SUPPORT IN MULTIPLE HORIZONTAL PANELS		
SCALE 3"=1'-0"	DWG. NO. Q-450	REV 0
BY MAI	DATE 05/29/2020	SHEET 1